



Before using this Mud Hog®,  
study and understand entire  
Owner's Manual.

Serial Number \_\_\_\_\_



MMH12 12ft<sup>3</sup>(0.34m<sup>3</sup>)  
Mobile Mud Hog®  
Mixing Station  
Owner's Manual



**Mobile Mud Hog®**  
**EZ Grout Corporation**  
**1-800-417-9272**

EZ Grout Corporation  
405 Watertown Road  
Waterford, Ohio 45786  
(740) 749-3512 or 1-800-417-9272  
Fax (740) 962-2037 [www.ezgrout.com](http://www.ezgrout.com)

# TABLE OF CONTENTS

INTRODUCTION.....	3
ABOUT THIS MANUAL.....	3
GENERAL INFORMATION.....	3
SAFETY INFORMATION.....	3
SAFETY PRECAUTIONS.....	4-5
CALIFORNIA PROPOSITION 65 WARNING.....	6
OPERATING INSTRUCTIONS.....	6
OBTAINING SPARE PARTS.....	7
DAILY MAINTENANCE.....	7
CLEANUP.....	7
WARNING LABELS AND LOCATIONS.....	8
FRAME ASSEMBLY.....	9
GATE ASSEMBLY.....	10
SHAFT ASSEMBLY.....	11
GREASE FITTING LOCATION.....	12
HYDRAULIC ASSEMBLY (Hydraulic Gate).....	13
HYDRAULIC ASSEMBLY (Manual Gate).....	14
WARRANTY.....	15
WARRANTY REGISTRATION.....	16

# INTRODUCTION

Congratulations on purchasing one of the finest pieces of masonry equipment on the market today! If this is your first EZ Grout product, you will not be disappointed. If you have previously owned an EZ Grout product you will find the same high quality and dependability that you have come to expect from EZ Grout.

## ABOUT THIS MANUAL

The purpose of this manual is to inform the owner/employer/and the operator, how to safely operate this piece of equipment, and make them aware of any hazards. It also contains important information regarding assembly, set up, operation, and maintenance. It is the Owner/Employers responsibility to make sure that anyone who operates this machine understands all safety warnings. If you do not understand any items in this manual, please contact the dealer where this product was purchased, or the manufacturer at the number listed throughout this manual. If you have any suggestions about how to make this manual easier to understand, contact the manufacturer. Keep this manual available for reference wherever this piece of equipment is being used and make it available to any operators.

## GENERAL INFORMATION

Illustrations in this manual may show details or components that may not be the same as your machine. Continuing improvements to the design of this machine may have caused changes that are not included in this manual. The information in this document is subject to change without notice.

## SAFETY INFORMATION

The following safety symbols and signal words will be used throughout this manual and on the product, for your safety and the safety of others, please become familiar with their meaning and heed their warnings.



**This symbol, either used alone or with a signal word, is used to call your attention to instructions involving your safety and/or the safety of others. Failure to follow these instructions will likely result in personal injury or death.**



**This signal word is used to identify a hazard which, if not avoided, will result in death or serious injury.**



**This signal word is used to identify a hazard which, if not avoided, could result in death or serious injury.**



**This signal word is used to identify a hazard which, if not avoided, could result in minor or moderate injury.**

***NOTICE***

**This signal word is used to identify a hazard which, if not avoided, could result in property or equipment damage. It also may be used for special instructions related to performance, maintenance or general items.**

# SAFETY PRECAUTIONS



## DANGER

**Failure to obey the following safety instructions will result in DEATH or SERIOUS INJURY.**

Locking levers on the skid steer must be properly down and locked to ensure Mobile Mud Hog® does not fall.



## WARNING

**Failure to obey the following safety instructions could result in DEATH or SERIOUS INJURY.**

Read and understand entire manual before operating the Mobile Mud Hog®

For your safety and the safety of others, replace any missing or damaged warning decals by contacting the manufacturer at 1-800-417-9272.

Make sure anyone operating the Mobile Mud Hog® is thoroughly familiar with its operation. Keep all unauthorized and untrained personnel, especially children away from Mobile Mud Hog®.

Never operate machine with safety grate, guards or safety devices removed or open. Do not alter any safety guards.

Stay clear of mixing paddles while machine is running. Keep all body parts, clothing, jewelry and solid objects away from all moving parts.

Never perform any work on the Mobile Mud Hog® while it is running. Before working on or cleaning the Mobile Mud Hog®, shut off skid steer and disconnect hydraulic supply hoses.

Never operate the Mobile Mud Hog® under the influence of alcohol, drugs, or medications.

This Mobile Mud Hog® has been designed and built as a material mixing system, and should not be used for anything other than its intended purpose.

Consult forklift manufacturers specifications to insure load capacity is not exceeded.

Model	Empty Weight	Max Gross Weight
MMH12	878lbs.(398.3kg)	2678lbs.(1214.7kg)

Do not exceed Maximum Gross Weight

Never stand under an elevated Mobile Mud Hog®.

Stay clear of moving parts while machine is in operation.

# SAFETY PRECAUTIONS



## **WARNINGS continued**

Never attempt to ride the Mobile Mud Hog®.

Avoid breathing dust produced while using the Mobile Mud Hog®. Dust may contain crystalline silica and may cause serious health problems.

Do not operate near combustible materials.

Always know the location of nearest fire extinguishers, first aid kit, and emergency personnel phone numbers in case of emergency.



## **CAUTION**

**Failure to obey the following safety instructions could result in MINOR or MODERATE INJURY.**

Inspect all hoses, fasteners, bolts and welds for nicks, cracks, cuts, damage, wear or looseness before each use. Repair as needed.

Always wear approved PPE, including glasses, hearing protection, hard hats, and ventilation masks when operating a Mobile Mud Hog®.

Do not use the Mobile Mud Hog® as a lifting device or with accessories or attachments not recommended by EZ Grout, as damage to equipment or operator might result.

Avoid contact with hot hydraulic fluid.

Allow system to cool before performing any repairs or service.

Use proper attachment plate to match skid steer.

Only lift from attachment plate or lifting channels.

## **NOTICE**

Use only factory authorized parts.

Used Lubricants such as engine and hydraulic oil, and hazardous waste must be taken to an authorized disposal or recycling center.

Clean gate thoroughly for best performance.

## California - Proposition 65 Warning

Engine exhaust and some of its constituents, and some dust created by power sanding, sawing, grinding, drilling, and other construction activities contains chemicals known to the State of California to cause cancer, birth defects and other reproductive harm. Some examples of these chemicals are:

Lead from lead based paints - Crystalline silica from bricks -Cement and other masonry products -Arsenic and chromium from chemically treated lumber

Your risk from these exposures varies, depending on how often you do this type of work. To reduce your exposure to these chemicals: ALWAYS work in a well ventilated area, and work with approved safety equipment, such as dust masks that are specially designed to filter out microscopic particles.

## OPERATING INSTRUCTIONS

 **Warning! This equipment is to be operated by trained and qualified personnel over the age of 18. Death or serious injury can result.**

1. Set Mobile Mud Hog® securely on level and even ground.
2. Attach the Mobile Mud Hog® to your skid steer. Consult skid steer owner's manual for proper hookup.
3. Connect hydraulic hoses from Mobile Mud Hog® to skid steer.
4. Cycle all hydraulic motions to verify the Mobile Mud Hog® is operating correctly and that hoses are the proper length.

 **Warning! Binding hoses may impede operation of Mobile Mud Hog® and cause hoses to rupture and release hot hydraulic fluid. Death or serious injury can result.**

5. Fill with material, add water and mix to desired consistency.

 **Warning! Do not leave operators seat with the Mobile Mud Hog® running. Death or serious injury can result.**

*NOTE: In the unlikely event that the mixing paddles plug, momentarily reverse the paddles.*

6. Transport mix to desired location, Reverse paddle rotation to open gate and dispense mixture.

*NOTE: If your model is not equipped with a hydraulic gate, manually open the gate using handle.*

 **Warning! NEVER put your hands inside mixer drum while equipment is running. Death or serious injury can result.**

# OBTAINING SPARE PARTS

Spare parts for your Mobile Mud Hog® may be obtained by the following procedure:

1. Record the information from the serial number tag located on the frame near the attachment plate.
2. Using the parts reference table in this manual, record the part number or component.
3. Contact your local Mud Hog® dealer or EZ Grout Corporation at 1-800-417-9272 with the information recorded.

## DAILY MAINTENANCE



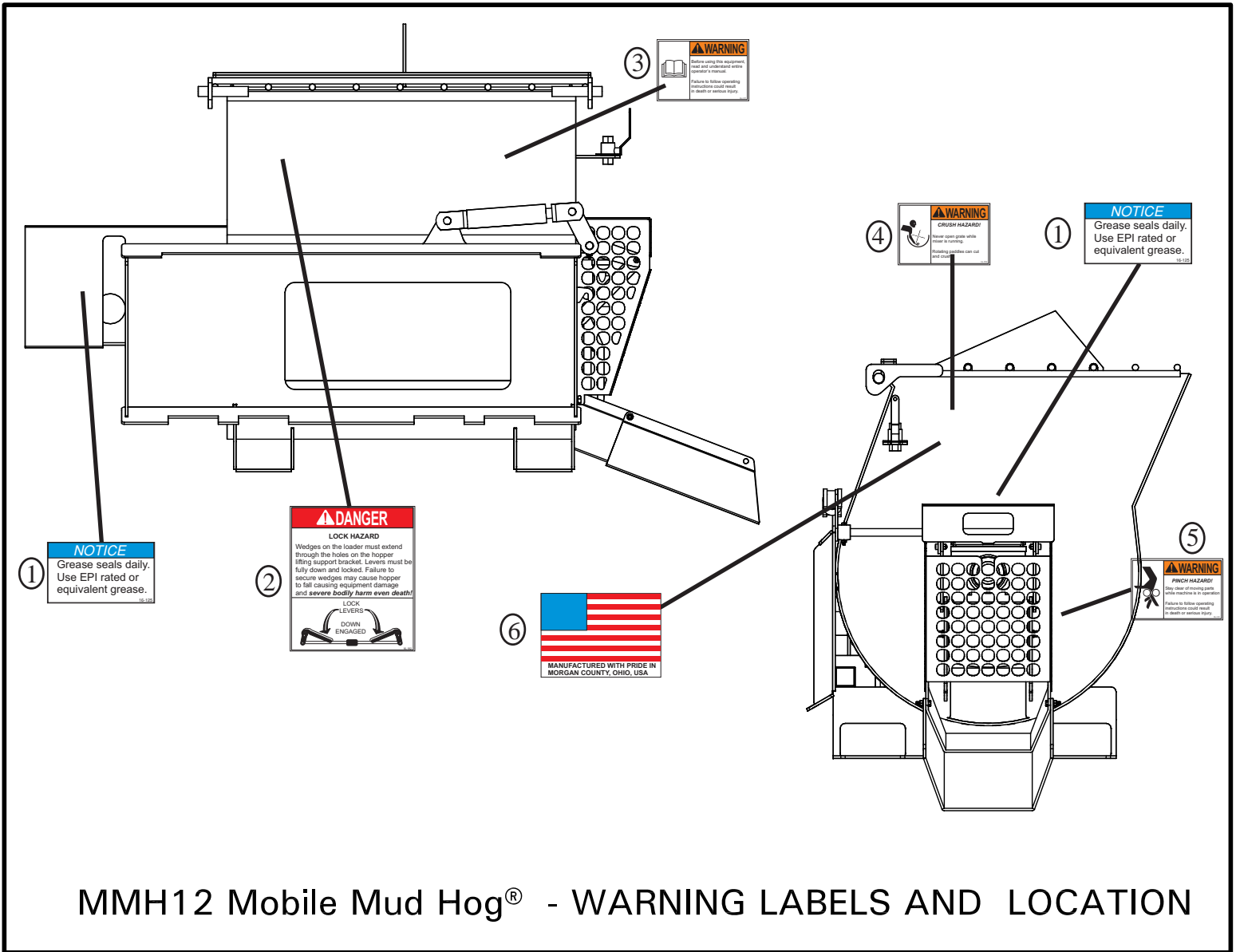
**Warning! Before performing any described maintenance items, make sure equipment is turned off and hydraulic supply hoses are disconnected. Death or serious injury can result.**

1. Check and grease all grease fittings.  
(Grease fitting location can be found on the Grease Fitting Location drawing in this manual)
2. For maximum performance, thoroughly clean inside and out at mid-day or lunch break and again at the end of each day's use. Do not allow a buildup of material to form on the blades and seals.
3. Check all hydraulic hoses and equipment for leaks. Fix any leaks before operating the Mobile Mud Hog®.
4. Check all welds and bolts. If a cracked weld is found, do not operate the Mobile Mud Hog® until repaired by qualified personnel. Tighten any loose bolts.
5. Check Paddle Shaft Seal for excessive wear. If any mortar or concrete is leaking past the seal, change the seals immediately.
6. Check paddle rubbers for wear. Adjust or replace as needed.
7. Store properly in a clean dry location.

## CLEANUP

1. Turn off engine and disconnect hydraulic supply hoses.
2. For maximum performance, thoroughly clean inside and out at mid-day or lunch break and again at the end of each day's use. Do not allow a buildup of materials to form on the blades and seals.
3. Hose out and brush down mixing drum, then spray and brush paddles until all excess material is removed.
4. Grease the fittings and brush the face of drum seals until clean.
5. Remove gate and thoroughly clean weekly.

# WARNING LABELS AND LOCATIONS

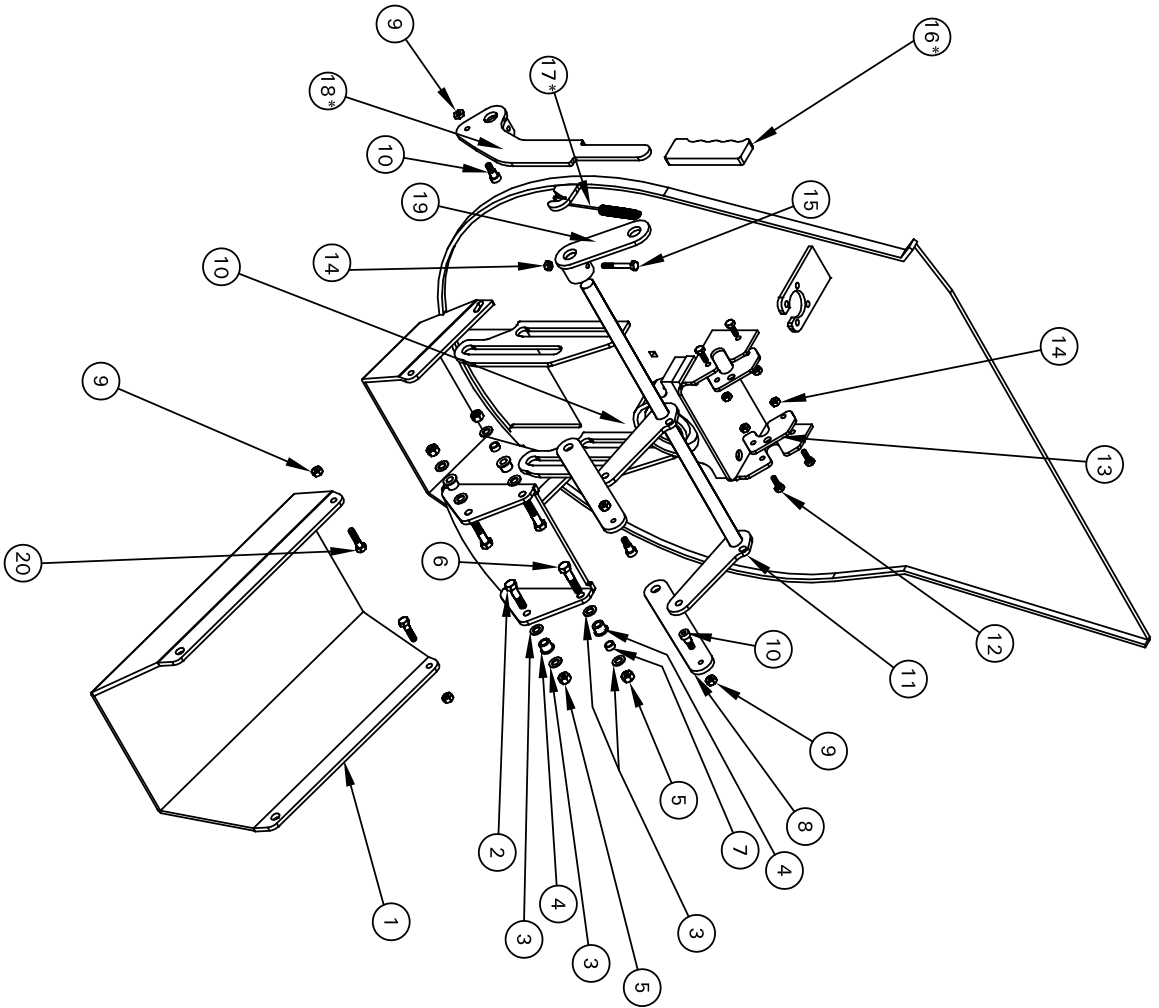


MMH12 Mobile Mud Hog® - WARNING LABELS AND LOCATION

ITEM	PART NUMBER	DESCRIPTION	QTY
1	16-125	Grease Seals Daily Decal	2
2	16-192	Lock Levers Decal	1
3	16-177	Read Owners Manual Decal	1
4	16-159	Never Open Grate Decal	1
5	16-131	Small Pinch Point Decal	1
6	16-106	U.S. Flag Decal	1





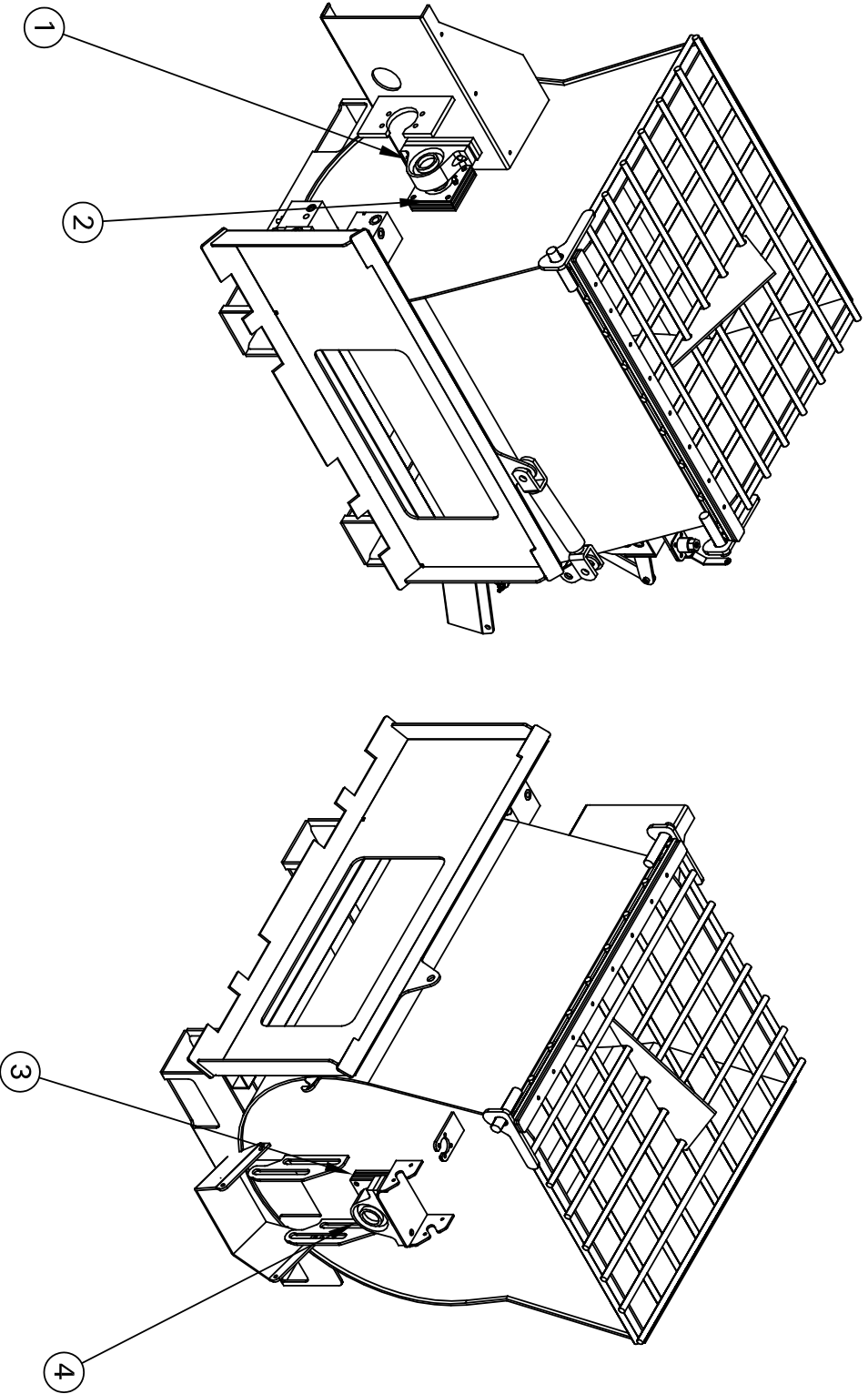


ITEM	PART NUMBER	QTY	DESCRIPTION
1	MMH12-15	1	Discharge Chute
2	09-311	2	3/8-16 x 1-3/4" Hex Bolt
3	09-106	8	3/8" Flat Washer
4	15-144	4	Flanged Bushing
5	09-204	4	3/8-16 Nylon Lock Nut
6	09-308	2	3/8-16 x 1-1/2" Hex Bolt
7	15-142	2	Bushing
8	MMH12-10	2	Lower Gate Arm
9	09-202	5	5/16-18 Nylon Lock Nut
10	09-361	3	5/16 x 3/8 Shoulder Bolt
11	MMH12-A-11	1	Handle Assembly
12	09-301	4	1/4-20 x 1" Bolt
13	MMH12-19	2	Bearing Mount Stop
14	09-200	5	1/4-20 Nylon Lock Nut
15	09-343	1	1/4-20 x 2" Hex Bolt
16*	20-147	1	Handle Grip
17*	09-800	1	Return Spring
18*	MMH9-14	1	Manual Gate Handle
19	MMH12-A-11	1	Cylinder Linkage
20	09-342	2	5/16-18 x 1" Hex Nut
* Manual Gate Models Only			

MMH12 Mobile Mud Hog® - GATE

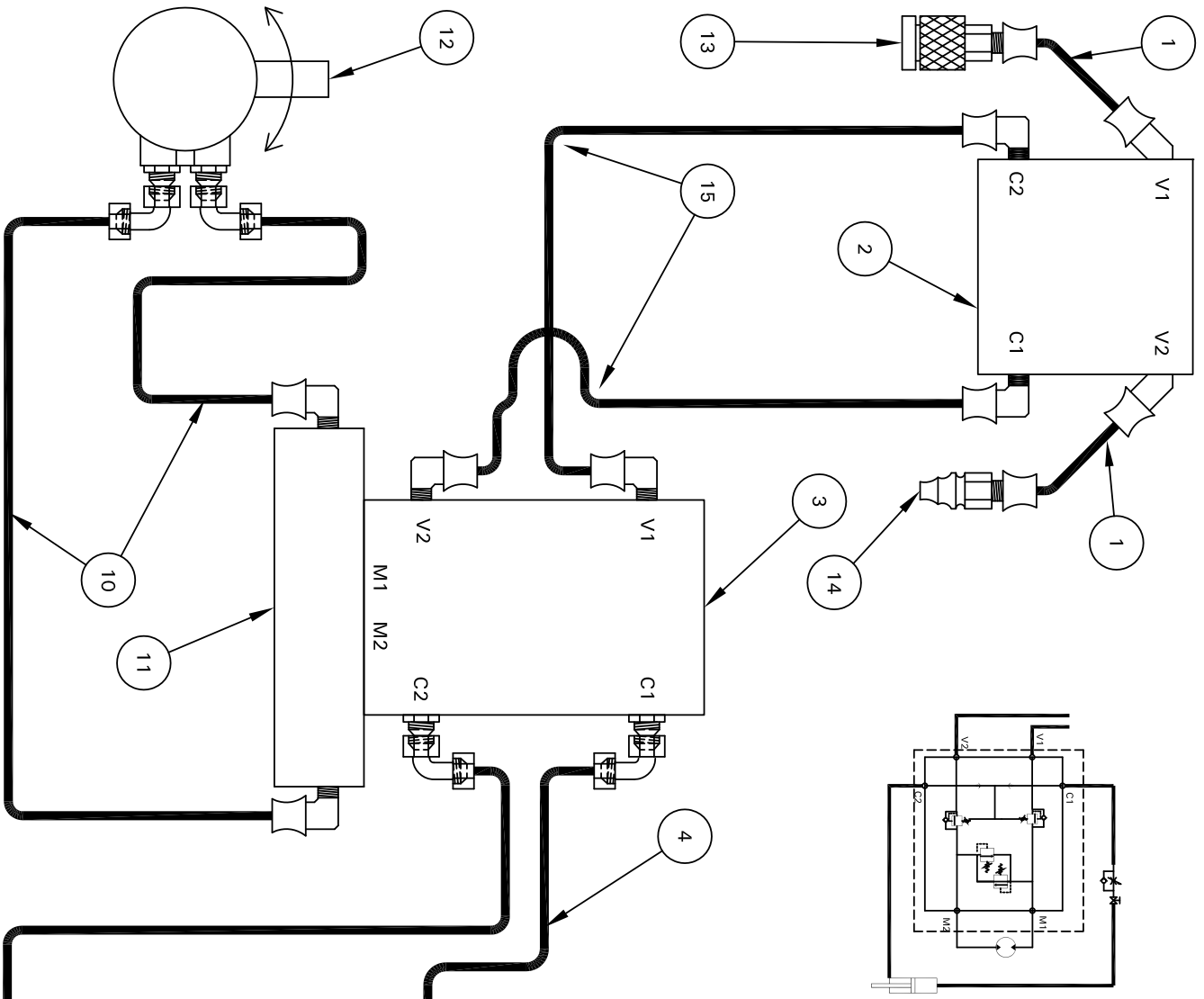


Check ALL grease fitting locations DAILY. Grease as needed.



# MMH12 Mobile Mud Hog® - GREASE FITTING LOCATION

ITEM	PART	QTY	DESCRIPTION
1	MMH-A-1	2	MMH Hose Assembly, Supply, 73" OAL, NPTM/JICF
2	02-643	1	Priority Flow Manifold
	02-647	2	Flow Regulator Cartridge
	02-648	2	Check Cartridge
3	02-610	1	Sequence Valve
	02-645	2	Sequence Cartridge
	02-634	1	Bidirectional Relief
4	MMH12-A-5	1	MMH12 Hose Assy., SV to FV, 73" OAL, 90° JICF/JICF
5	02-613	1	Flow Control Valve
6	02-614	1	Shut Off Ball Valve
7	MMH12-A-6	1	MMH12 Hose Assy., BV to Cyl, 15" OAL, JICF/NPTM
8	02-703	1	Gate Cylinder
9	MMH12-A-7	1	MMH12 Hose Assy., V to Cyl, 83" OAL, 90° JICF/JICF
10	MMH12-A-8	2	MMH12 Hose Assy., V to M, 30" OAL, 90° JICF/JICF
11	02-655	1	Port Adapter Manifold
12	02-427	1	Hydraulic Motor
13	02-221	1	Female Hydraulic Coupler
14	02-222	1	Male Hydraulic Coupler
15	MMH12-A-9	2	MMH12 Hose Assy., FV to SV, 17" OAL, JICF/JICF



MMH12 Mobile Mud Hog® - HYDRAULICS - (Hydraulic Gate Model Only)



# WARRANTY

## Limited Warranty

The manufacturer warrants that products manufactured shall be free from defects in material and workmanship that develop under normal use for a period of one year on all products from the date of shipment. The foregoing shall be the exclusive remedy of the buyer and the exclusive liability of the manufacturer. Our warranty excludes normal replaceable wear items, i.e. gaskets, wear parts, seals, O-rings, belts, drive chains, clutches, etc. Any equipment, part or product which is furnished by the manufacturer but manufactured by another, bears only the warranty given by such other manufacturer. (Manufacturer agrees to furnish free of charge a written description of problem or cause.) Warranty is voided by product abuse, alterations, use of equipment in applications for which it was not intended, use of non-manufacturer parts, or failure to follow documented service instructions. The foregoing warranty is exclusive of all other warranties whether written or oral, expressed or implied. No warranty of merchantability or fitness for a particular purpose shall apply. The agents, dealers, and employees of Manufacturer are not authorized to make modifications to this warranty, or additional warranties binding on the Manufacturer. Therefore, additional statements, whether oral or written, do not constitute warranty and should not be relied upon.

The Manufacturer's sole responsibility for any breach of the foregoing warranty provisions, with respect to any product or part not conforming to the Warranty or the description herein contained, is at its option (a) to repair, replace, or refund such product or parts upon the prepaid return thereof to location designated specifically by the Manufacturer. Product returns not shipped prepaid will be refused (b) as an alternative to the foregoing modes of settlement- the Manufacturer's dealer may repair defective units with reimbursement for expenses. A written description of problem or cause must accompany all warranty claims.

Except as set forth here in above and without limitation of the above, there are no warranties or other affirmation which extend beyond the description of the products on the fact here of, or as to operational efficiency, product reliability, or maintainability or compatibility with products furnished by others. In no event, whether as a result of breach of contract or warranty or alleged negligence, shall the Manufacturer, be liable for special or consequential damages including but not limited to: Loss of profits or revenue, loss of use of the product or any associated product, cost of capital, cost of substitute products, facilities or services or claims of customers. Manufacturer does not assume responsibility for any accident due to equipment modification.

No claim will be allowed for products lost or damaged in transit. Such claims should be filed with the carrier within fifteen days.

Effective July 20, 2005

EZ Grout Corporation is the exclusive manufacturer of the patented **Grout Hog®** Grout Delivery System the **Mud Hog®** Hydraulic Mixing Station, the **Hog Trough®** mud pan, the **Hog Cart™**, the **Hog Slopper™**, the **Booger Hog®** Wall Scrubber, the **Hog Leg®** Wall Brace System, and the **Hog Crusher™** Material Recycling System.

Fax Warranty Registration form to 740-962-2037 or submit online at [www.ezgrout.com](http://www.ezgrout.com) by clicking on "Products" then "Warranty Cards".

## WARRANTY REGISTRATION

CONTACT: \_\_\_\_\_

COMPANY NAME: \_\_\_\_\_

ADDRESS: \_\_\_\_\_

CITY: \_\_\_\_\_ STATE: \_\_\_\_\_ ZIP: \_\_\_\_\_

PHONE: ( ) - - FAX: ( ) - - EMAIL: \_\_\_\_\_

PURCHASED FROM:  Direct  Distributor \_\_\_\_\_

PURCHASE DATE: \_\_\_\_\_ SERIAL NO. \_\_\_\_\_

PLEASE COMPLETE THIS WARRANTY CARD, AND RETURN VIA MAIL, FAX, OR E-MAIL, WITHIN 30 DAYS OF PURCHASE TO VALIDATE YOUR MANUFACTURER'S WARRANTY FOR ALL EZ GROUT PRODUCTS.

WARRANTY PROVISIONS OF THIS MACHINE ARE HANDLED DIRECTLY THROUGH THE MANUFACTURER.

EZ GROUT CORPORATION \* 405 Watertown Road, WATERFORD, OH 45786 \*  
FAX 740-962-2037 \* Email: [warranty@ezgrout.com](mailto:warranty@ezgrout.com)

*Please take a minute to fill out the survey below so that we can better serve our customers.*

## EZ Survey

**1. WHERE DID YOU FIRST HEAR ABOUT EZ GROUT? (CHECK ONE)**

Masonry Magazine  Website  Newsletter  Referral  Masonry Construction

Other: \_\_\_\_\_

**2. WHAT INFLUENCED YOU TO BUY?  QUALITY  PRICE  EASY TO USE  OTHER**

**3. WHO IS YOUR SALES REPRESENTATIVE?** \_\_\_\_\_

**4. ARE YOU SATISFIED WITH THE CUSTOMER SERVICE YOU RECEIVED?  YES  NO**

Explain: \_\_\_\_\_

\_\_\_\_\_

**5. WHAT OTHER EZ GROUT PRODUCTS DO YOU OWN?** \_\_\_\_\_

**6. WOULD YOU LIKE TO BE FEATURED IN OUR NEWSLETTER?  YES  NO**

If yes, where can we reach you and what is the best time? \_\_\_\_\_

\_\_\_\_\_

Comments: \_\_\_\_\_

\_\_\_\_\_

\_\_\_\_\_