



Before using this EZG Mixer®, study  
and understand entire Owner's Manual.

Serial Number \_\_\_\_\_

# **EZG 12 MIXER®**

## **12ft<sup>3</sup> (0.34m<sup>3</sup>)**

# **Mixing Station**

## **Owner's Manual**



**EZG 12 Mixer®**  
**EZG MANUFACTURING**  
**1-800-417-9272**

**EZG Manufacturing**  
**405 Watertown Road**  
**Waterford, Ohio 45786**  
**(740) 749-3512 or 1-800-417-9272**  
**Fax (740) 962-2037 [www.ezgrout.com](http://www.ezgrout.com)**

# TABLE OF CONTENTS

INTRODUCTION.....	3
ABOUT THIS MANUAL.....	3
GENERAL INFORMATION.....	3
SAFETY INFORMATION.....	3
SAFETY PRECAUTIONS.....	4-5
CALIFORNIA PROPOSITION 65 WARNING.....	6
SETUP INSTRUCTIONS.....	6
OPERATING INSTRUCTIONS.....	7
DAILY MAINTENANCE.....	7
OBTAINING SPARE PARTS.....	8
CLEANUP.....	8
SERVICE RECORDS.....	8
WARNING LABELS AND LOCATIONS.....	9
DRUM & PADDLE ASSEMBLY.....	10
FRAME & AXLE ASSEMBLY.....	11
SHAFT ASSEMBLY.....	12
DRIVE ASSEMBLY.....	13
AXLE & HUB ASSEMBLY.....	14
SEAL ASSEMBLY.....	15
GREASE FITTING LOCATIONS.....	16
OPTIONS.....	17
NOTES.....	18
WARRANTY.....	19
WARRANTY REGISTRATION.....	20

# INTRODUCTION

Congratulations on purchasing one of the finest pieces of masonry equipment on the market today! If this is your first EZG Manufacturing product, you will not be disappointed. If you have previously owned an EZG Manufacturing product you will find the same high quality and dependability that you have come to expect from EZG Manufacturing.

## ABOUT THIS MANUAL

The purpose of this manual is to inform the owner/employer/and the operator, how to safely operate this piece of equipment, and make them aware of any hazards. It also contains important information regarding assembly, set up, operation, and maintenance. It is the Owner/Employers responsibility to make sure that anyone who operates this machine understands all safety warnings. If you do not understand any items in this manual, please contact the dealer where this product was purchased, or the manufacturer at the number listed throughout this manual. If you have any suggestions about how to make this manual easier to understand, contact the manufacturer. Keep this manual available for reference wherever this piece of equipment is being used and make it available to any operators.

## GENERAL INFORMATION

Illustrations in this manual may show details or components that may not be the same as your machine. Continuing improvements to the design of this machine may have caused changes that are not included in this manual. The information in this document is subject to change without notice.

## SAFETY INFORMATION

The following safety symbols and signal words will be used throughout this manual and on the product, for your safety and the safety of others, please become familiar with their meaning and heed their warnings.



**This symbol, either used alone or with a signal word, is used to call your attention to instructions involving your safety and/or the safety of others. Failure to follow these instructions will likely result in personal injury or death.**



**DANGER**

**This signal word is used to identify a hazard which, if not avoided, will result in death or serious injury.**



**WARNING**

**This signal word is used to identify a hazard which, if not avoided, could result in death or serious injury.**



**CAUTION**

**This signal word is used to identify a hazard which, if not avoided, could result in minor or moderate injury.**

**NOTICE**

**This signal word is used to identify a hazard which, if not avoided, could result in property or equipment damage. It also may be used for special instructions related to performance, maintenance or general items.**

# SAFETY PRECAUTIONS



## WARNING

**Failure to obey the following safety instructions could result in DEATH or SERIOUS INJURY.**

Read and understand entire manual before operating the EZG12 Mixer®

For your safety and the safety of others, replace any missing or damaged warning decals by contacting the manufacturer at 1-800-417-9272.

Make sure anyone operating the EZG12 Mixer® is thoroughly familiar with its operation. Keep all unauthorized and untrained personnel, especially children away from EZG12 Mixer®.

Never operate machine with safety grate, guards or safety devices removed or open. Do not alter any safety guards.

Stay clear of mixing paddles while machine is running. Keep all body parts, clothing, jewelry and solid objects away from all moving parts.

Never perform any work on the EZG12 Mixer® while it is running. Before working on or cleaning the EZG12 Mixer®, shut off engine and disconnect spark plug wire.

Never operate the EZG12 Mixer® under the influence of alcohol, drugs, or medications.

This EZG12 Mixer® has been designed and built as a material mixing station, and should not be used for anything other than its intended purpose.

Model	Empty Weight	Max Gross Weight
EZG12	1150 Lbs.(521.6 kg)	3150 lbs.(1428.8 kg)

Do not exceed Maximum Gross Weight

Never stand under an elevated EZG12 Mixer®.

Stay clear of moving parts while machine is in operation.

When towing, refer to vehicle manufactures specs to insure load capacity is not exceeded.

Always check axle,tires, and safety chains before towing EZG12 Mixer®.

Always cross and connect safety chains before towing EZG12 Mixer®.

Never attempt to ride the EZG12 Mixer®.

# SAFETY PRECAUTIONS



## **WARNINGS continued**

Operate only in properly vented environments. The mixer requires a free flow of air and emits carbon monoxide gas.

Avoid breathing dust produced while using the EZG12 Mixer®. Dust may contain crystalline silica and may cause serious health problems.

Do not operate near combustible materials.

Do not smoke around EZG12 Mixer®.

Always know the location of nearest fire extinguishers, first aid kit, and emergency personnel phone numbers in case of emergency.



## **CAUTION**

**Failure to obey the following safety instructions could result in MINOR or MODERATE INJURY.**

Inspect all hoses, fasteners, bolts and welds for nicks, cracks, cuts, damage, wear or looseness before each use. Repair as needed.

Always wear approved PPE, including glasses, hearing protection, hard hats, and ventilation masks when operating a EZG12 Mixer®.

Do not use the EZG12 Mixer® as a lifting device or with accessories or attachments not recommended by EZG Manufacturing, as damage to equipment or operator might result.

Avoid contact with hot hydraulic fluid.

Allow system to cool before performing any repairs or service, such as adding fuel or oil.

## ***NOTICE***

Use only factory authorized parts.

Used Lubricants such as engine and hydraulic oil, and hazardous waste must be taken to an authorized disposal or recycling center.

Consult Honda® owners' manual for engine maintenance and warnings.

## California - Proposition 65 Warning

Engine exhaust and some of its constituents, and some dust created by power sanding, sawing, grinding, drilling, and other construction activities contains chemicals known to the State of California to cause cancer, birth defects and other reproductive harm. Some examples of these chemicals are:

Lead from lead based paints - Crystalline silica from bricks -Cement and other masonry products -Arsenic and chromium from chemically treated lumber

Your risk from these exposures varies, depending on how often you do this type of work. To reduce your exposure to these chemicals: ALWAYS work in a well ventilated area, and work with approved safety equipment, such as dust masks that are specially designed to filter out microscopic particles.

## SETUP INSTRUCTIONS

Before operating the EZG12 Mixer® it should be properly set up on the jobsite. The EZG12 Mixer® may be lifted by using a forklift. The EZG12 weighs 1150 lbs.(521.6 kg) empty and 3150 lbs.(1428.8 kg) full. Check forklift ratings before attempting to move the EZG12 Mixer®.

The EZG12 Mixer® is equipped with (2) wheels and a tow tongue.

1. Position the EZG12 Mixer® at point of operation.
2. Disconnect EZG12 Mixer® from towing vehicle.
3. Lower tongue until mixer is level.
4. Verify that the mixer foot is touching the ground and that the EZG12 Mixer® is level and cannot rock in any direction.
5. Perform the daily maintenance as described in the “Daily Maintenance” section of this manual.

# OPERATING INSTRUCTIONS



**Warning! This equipment is to be operated by trained and qualified personnel over the age of 18. Death or serious injury can result.**

1. Slide forks under the EZG12 Mixer® and place in desired location.
2. Level unit and chock wheels.
3. Start engine.  
*See engine manuals for proper procedure.*
4. Fill with material, add water and mix to desired consistency and dump.

*NOTE: In the unlikely event that the mixing paddles plug, momentarily reverse the paddles.*



**Warning! NEVER put your hands inside mixer drum while equipment is running. Death or serious injury can result.**

## DAILY MAINTENANCE



**Warning! Before performing any described maintenance items, make sure engine is turned off and spark plug wire is disconnected. Death or serious injury can result.**

1. Check engine oil daily.
2. For engine maintenance, refer to the engine manufacturer's manual furnished with the EZG12 Mixer®.
3. Check and grease all grease fittings.  
(Grease fitting location can be found on the Grease Fitting Location drawing in this manual)
4. For maximum performance, thoroughly clean inside and out at mid-day or lunch break and again at the end of each day's use. Do not allow a buildup of material to form on the blades and seals.
6. Check equipment for leaks. Fix any leaks before operating the EZG12 Mixer®.
7. Check all welds and bolts. If a cracked weld is found, do not operate the EZG12 Mixer® until repaired by qualified personnel. Tighten any loose bolts.
8. Check Paddle Shaft Seal for excessive wear. If any mortar or concrete is leaking past the seal, change the seals immediately.
9. Check paddle rubbers for wear. Adjust or replace as needed.

## OBTAINING SPARE

Spare parts for your EZG12 Mixer® may be obtained by the following procedure:

1. Record the information from the serial number tag located on the frame near the hydraulic reservoir.
2. Using the parts reference table in this manual, record the part number or component.
3. Contact your local EZG12 Mixer® dealer or EZG Manufacturing at 1-800-417-9272 with the information recorded.

## CLEANUP

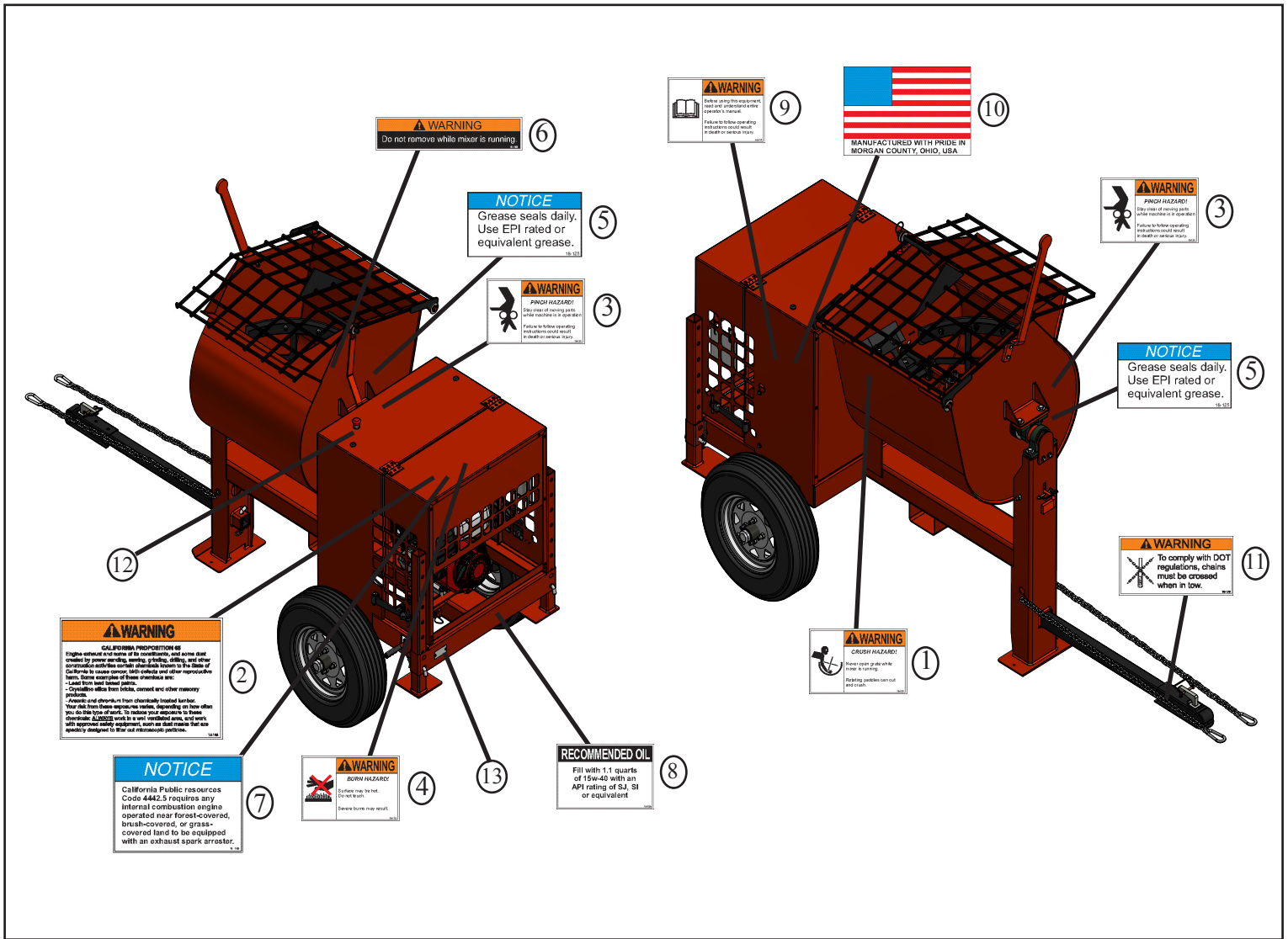
1. Turn off engine and disconnect spark plug wire.
2. For maximum performance, thoroughly clean inside and out at mid-day or lunch break and again at the end of each day's use. Do not allow a buildup of materials to form on the blades and seals.
3. Hose out and brush down mixing drum, then spray and brush paddles until all excess material is removed.
4. Grease the fittings and brush the face of drum seals until clean.

## SERVICE RECORDS

SERVICE PERFORMED	DATE	INITIALS

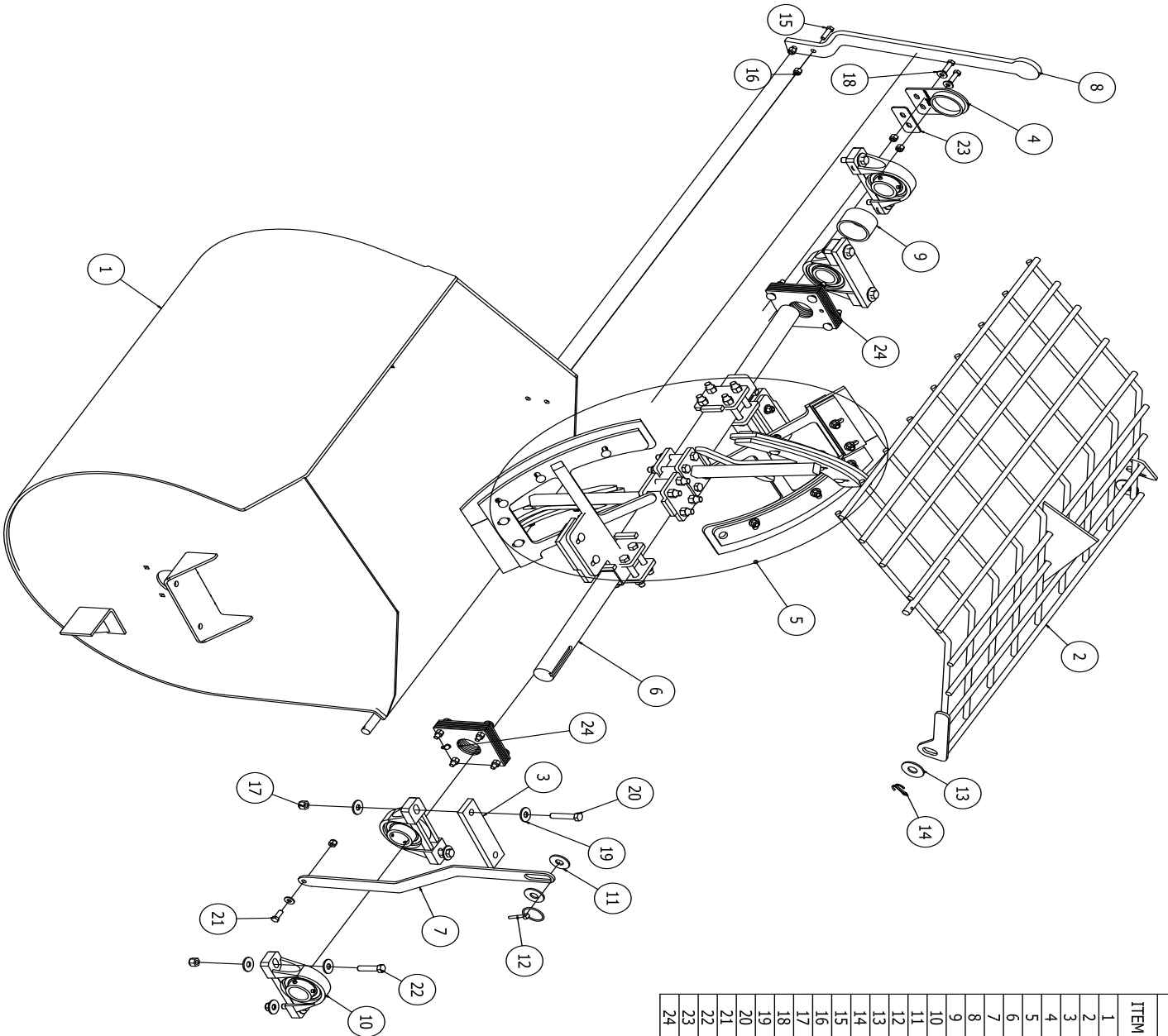


# WARNING LABELS AND LOCATIONS



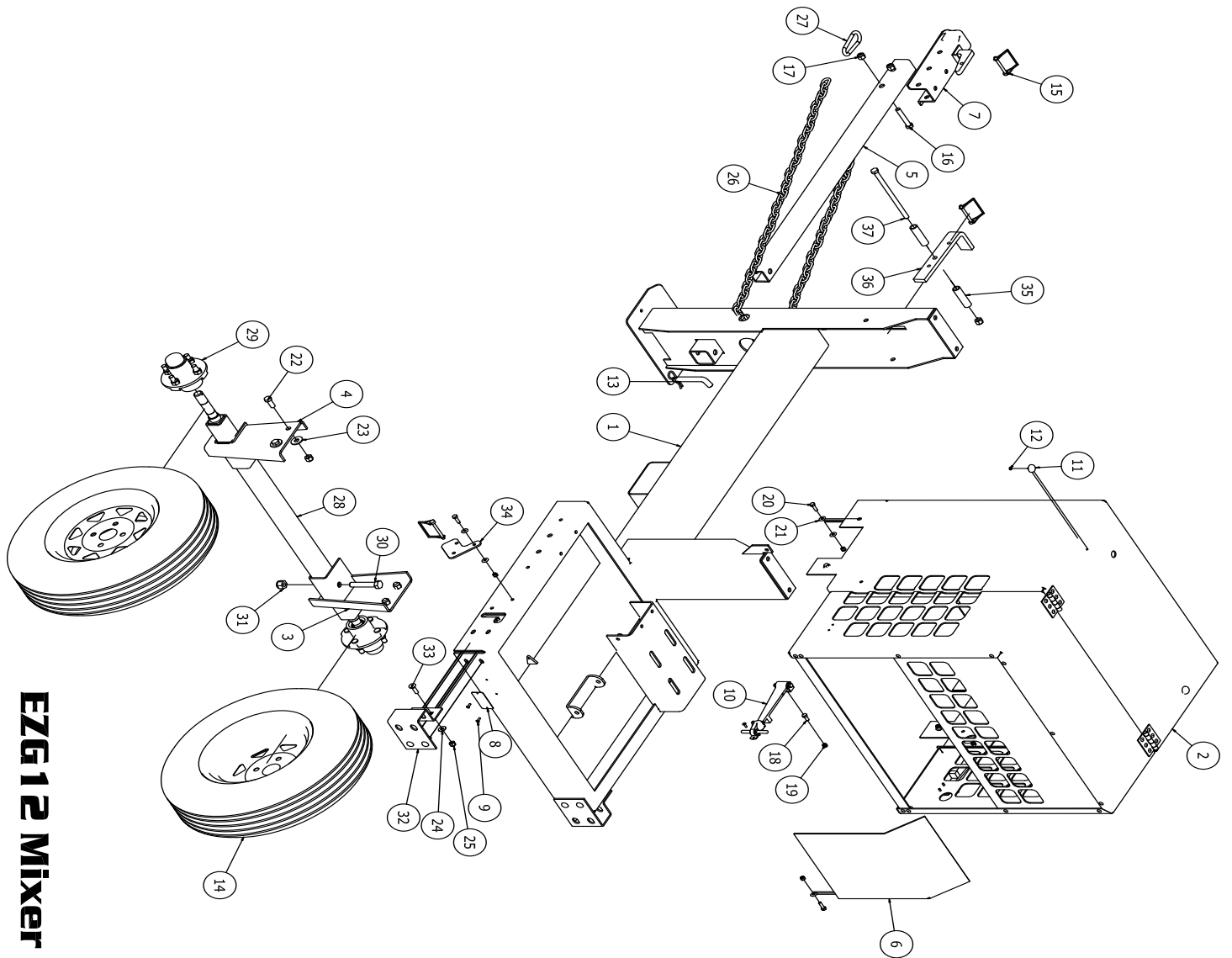
ITEM	PART NUMBER	DESCRIPTION	QTY
1	16-159	Never Open Grate Decal	1
2	16-193	Proposition 65 Decal	1
3	16-131	Small Pinch Point Decal	2
4	16-112	Hot Surface Decal	1
5	16-125	Grease Seals Daily Decal	2
6	16-165	Do Not Remove Decal	1
7	16-149	California Public Resources Decal	1
8	16-156	Fill with 1.1 Quart Decal	1
9	16-177	Read Owners Manual Decal	1
10	16-106	U.S. Flag Decal	1
11	16-179	DOT Cross Chains Decal	1
12	16-201	E-STOP Label	1
13		Serial Tag Location	1

# EZG 12 Mixer - Drum & Paddle Assembly



PARTS LIST			
ITEM	QTY	PART NUMBER	DESCRIPTION
1	1	EZG12-A-3	EZG12-Drum Assembly
2	1	EZG12-A-6	EZG12-Grate Assembly
3	2	MH-62	MH9-12-20 Shaft Bearing Shim
4	1	EZG-A-5	Shaft End Guard Assembly
5	2	MH12-A-8	MH12 Paddle Kit (Everything But Shaft)
6	1	EZG12-A-4	EZG12 Paddle Shaft Assembly
7	1	EZG9-1	EZG9 Grate Opener
8	1	EZG-8	EZG Drum Dump Handle
9	1	EZG-505	EZG Shaft Collar
10	4	15-119	1 3/4" Pillow Block Bearing
11	2	09-109	5/8" Flat Washer
12	1	09-400	1/4" Linch Pins
13	2	09-111	3/4" Flat Washer
14	2	09-337	3/16" x 1 1/2" Cotter Pin
15	4	09-310	3/8"-16 x 1 1/4" GR5 Bolt
16	5	09-204	3/8"-16 Nylon Nut
17	8	09-208	1/2"-13 Nylon Nut
18	3	09-105	5/16" Flat Washer
19	16	09-107	1/2" Flat Washer
20	4	09-320	1/2"-13 x 2 1/2" Bolt
21	1	09-307	3/8"-16 x 1" GR5 Bolt
22	4	09-365	1/2"-13 x 2" GR8 Bolt
23	1	EZG-70	EZG Shaft Guard Plate Shim
24	1	MH-A-38-A	MH Paddle Shaft Seal Kit-Equipment BOMS

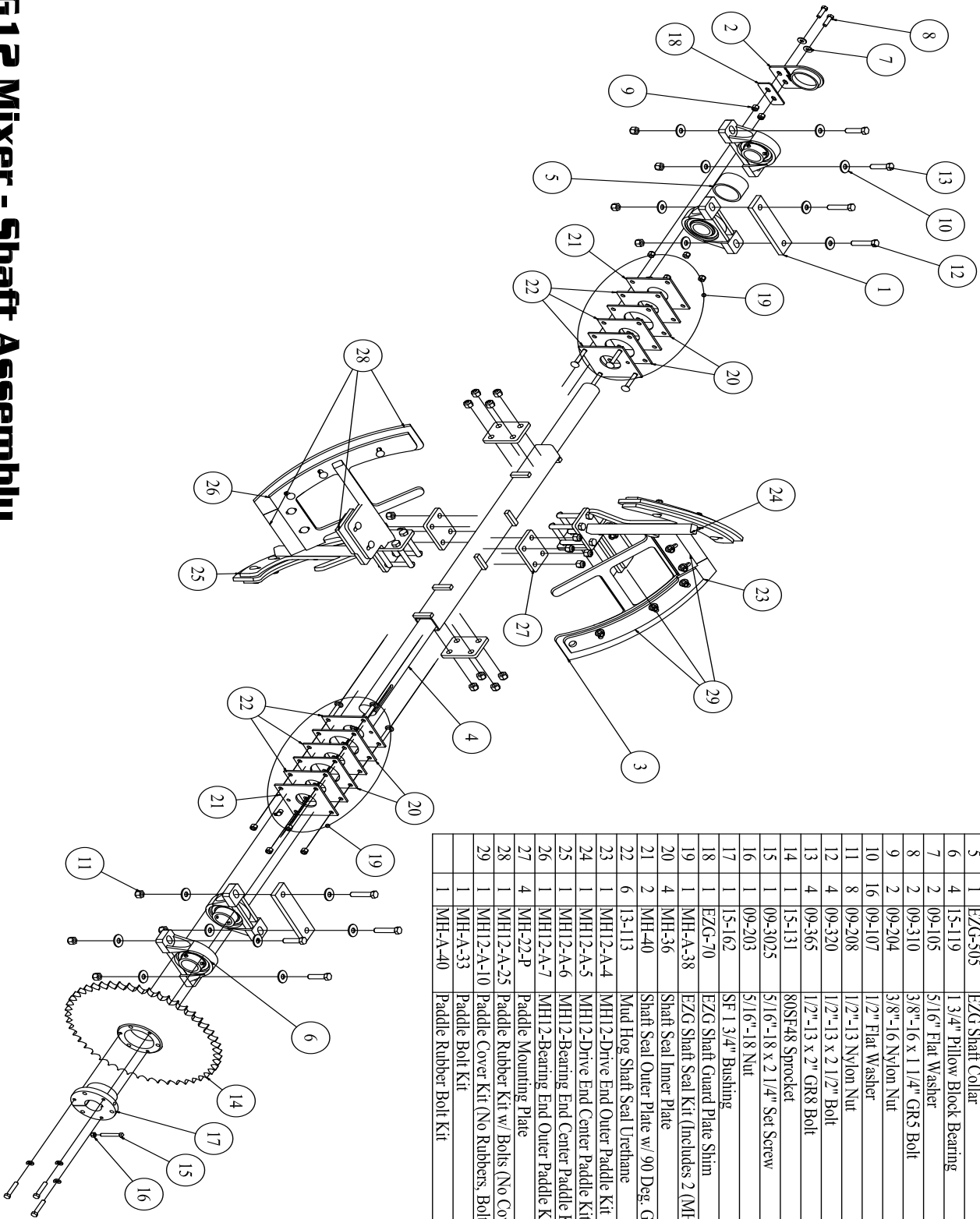
# EZG 12 Mixer - Frame & Axle Assembly



ITEM	QTY	PART NUMBER	DESCRIPTION
1	1	EZG12-A-1	EZG12 Frame Assembly
2	1	EZG9-A-2	EZG9 Hood Assembly
3	1	EZG-A-7	EZG Axle Mount Assembly-Load Side
4	1	EZG-A-8	EZG Axle Mount Assembly-Dump Side
5	1	EZG-500	EZG Mixer Torque Tube
6	1	EZG-4	EZG Pulley/Guard
7	1	EZG-2	EZG 2" Ball Receiver
8	1	20-126	Blank Metal Plates
9	6	20-105	Rivets for Name Plates
10	2	20-103	Hood Hold Down Strap
11	2	20-139	9541K3 10-24 Rubber Bumper
12	2	09-224	#10-24 Hex Nut
13	1	09-418	Hub Pin Assembly
14	2	07-136	175-80-R13 Deestone 6-ply 13" 4-Lug (EZG)
15	3	09-407	5/16" Latch Pin
16	2	09-321	1/2"-13 x 3" GR5 Bolt
17	7	09-208	1/2"-13 NYlon Nut
18	2	09-341	5/16"-18 x 3/4" GR5 Bolt
19	9	09-202	5/16"-18 NYlon Nut
20	7	09-342	5/16"-18 x 1" GR5 Bolt
21	12	09-104	1/4" Flat Washer
22	4	09-316	1/2"-13 x 1 1/4" GR5 Bolt
23	4	09-107	1/2" Flat Washer
24	9	09-105	5/16" Flat Washer
25	9	09-204	3/8"-16 NYlon Nut
26	1	09-700	1/4" Proof Coil Plated Chain
27	2	09-702	Carabiner Style Connector (EZG)
28	1	EZG-A-6	EZG Axle Welded Assembly (EZG7, EZG9)
29	2	07-127	EZG Complete Hub Assembly (EZG7, EZG9)
30	2	09-380	5/8"-11 x 3 1/2" GR8 Bolt-Zinc
31	2	09-210	5/8"-11 NYlon Nut
32	2	EZG-102	EZG-Bolt On Leg Pocket
33	8	09-373	3/8"-16 x 1 1/4" Carriage Bolts
34	1	EZG-103	EZG Motor Lock
35	2	EZG12-504	EZG12-Drum Lock Handle Spacer 3 1/8"
36	1	EZG12-10	EZG12 Drum Lock Lever
37	1	09-3028	1/2"-13 x 8 1/2" GR5 Bolt

PARTS LIST

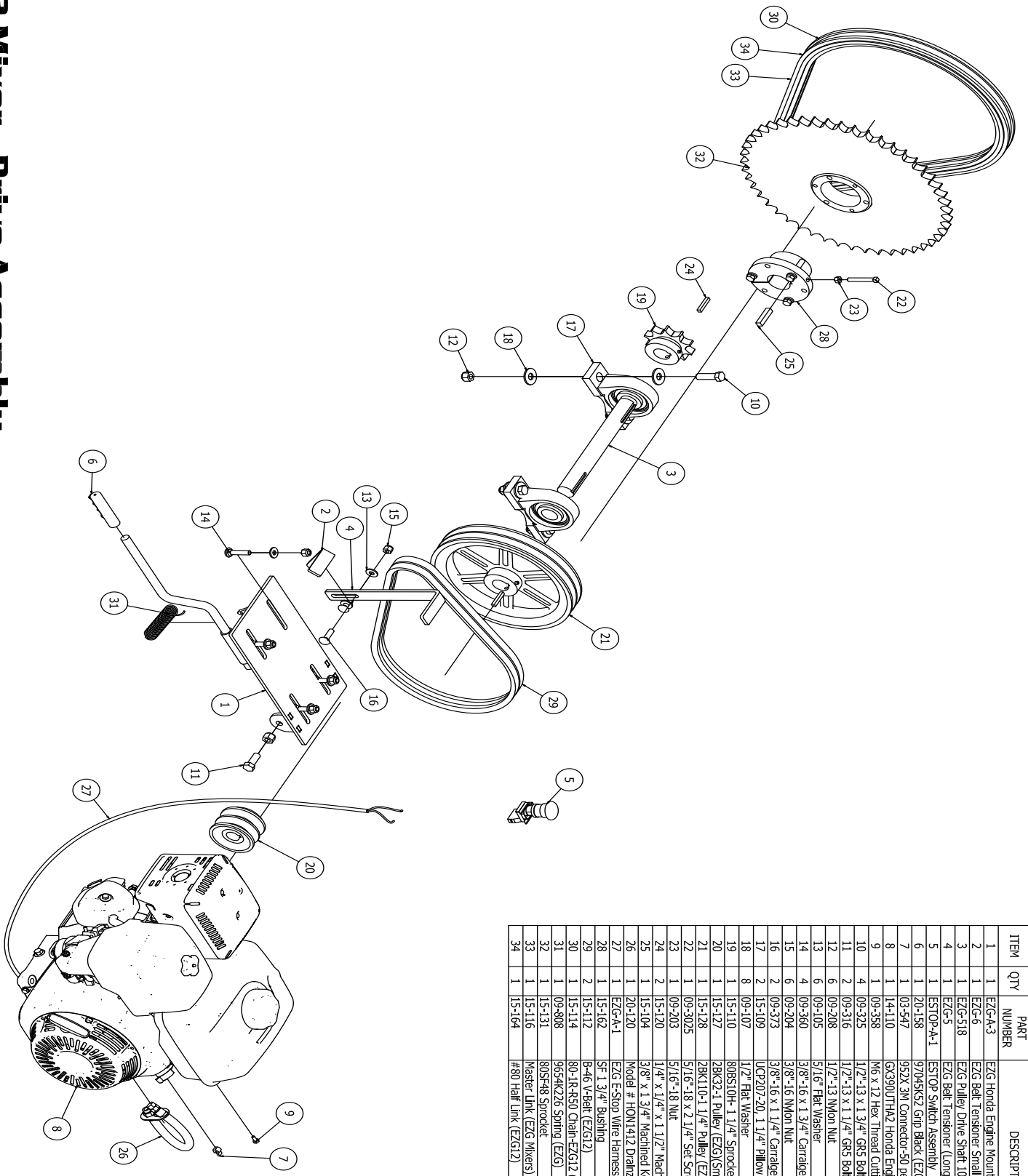
# EZG 12 Mixer - Shaft Assembly



ITEM QTY	PART NUMBER	DESCRIPTION
1	MH-62	MH9/12/20 Shaft Bearing Shim
2	EZG-A-5	Shaft End Guard Assembly
3	MH12-A-8	MH12 Paddle Kit (Everything But Shaft)
4	EZG12-A-4	EZG12 Paddle Shaft Assembly
5	EZG-505	EZG Shaft Collar
6	15-119	1 3/4" Pillow Block Bearing
7	09-105	5/16" Flat Washer
8	09-310	3/8"-16 x 1 1/4" GR5 Bolt
9	09-204	3/8"-16 Nylon Nut
10	09-107	1/2" Flat Washer
11	09-208	1/2"-13 Nylon Nut
12	09-320	1/2"-13 x 2 1/2" Bolt
13	09-365	1/2"-13 x 2" GR8 Bolt
14	15-131	80SF48 Sprocket
15	09-3025	5/16"-18 x 2 1/4" Set Screw
16	09-203	5/16"-18 Nut
17	15-162	SF 1 3/4" Bushing
18	EZG-70	EZG Shaft Guard Plate Shim
19	MH-A-38	EZG Shaft Seal Kit (Includes 2 (MH-40), 6 (13-113), 4 (MH-36))
20	MH-36	Shaft Seal Inner Plate
21	MH-40	Shaft Seal Outer Plate w/ 90 Deg. Grease Fitting
22	13-113	Mud Hog Shaft Seal Urethane
23	MH12-A-4	MH12-Drive End Outer Paddle Kit
24	MH12-A-5	MH12-Drive End Center Paddle Kit
25	MH12-A-6	MH12-Bearing End Center Paddle Kit
26	MH12-A-7	MH12-Bearing End Outer Paddle Kit
27	MH-22-P	Paddle Mounting Plate
28	MH12-A-25	Paddle Rubber Kit w/ Bolts (No Covers)
29	MH12-A-10	Paddle Cover Kit (No Rubbers, Bolts)
1	MH-A-33	Paddle Bolt Kit
1	MH-A-40	Paddle Rubber Bolt Kit

PARTS LIST

# EZG 12 Mixer - Drive Assembly

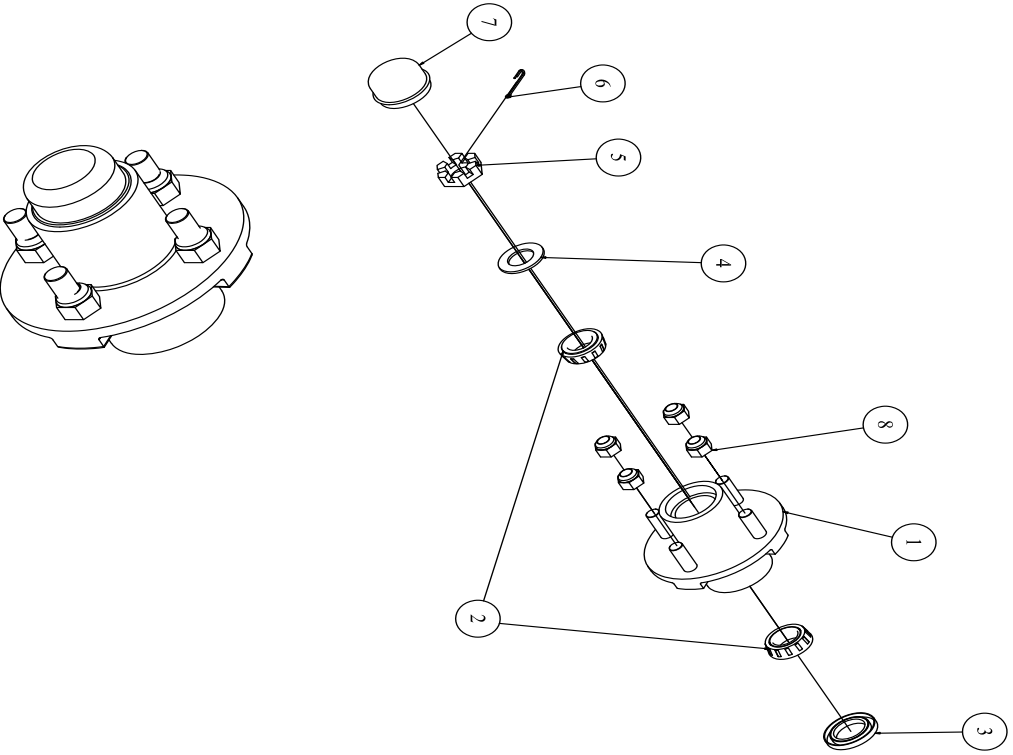


ITEM	QTY	PART NUMBER	DESCRIPTION
1	1	EZG-A-3	EZG Honda Engine Mounting Plate
2	1	EZG-6	EZG Belt Tensioner Small
3	1	EZG-518	EZG Pulley Drive Shaft 10 1/2" Long
4	1	EZG-5	EZG Belt Tensioner (Long)
5	1	ESTOP-A-1	ESTOP Switch Assembly
6	1	20-158	97045K52 Grip Block (EZG)
7	1	03-547	952X 3M Connector-50 per pkg
8	1	14-110	6X300UTHA2 Honda Engine-EZG12
9	1	09-358	M6 x 12 Hex Thread Cutting Screw
10	4	09-325	1/2"-13 x 1 3/4" GR5 Bolt
11	2	09-316	1/2"-13 x 1 1/4" GR5 Bolt
12	6	09-208	1/2"-13 Nylon Nut
13	6	09-105	5/16" Flat Washer
14	4	09-360	3/8"-16 x 1 3/4" Carriage Bolt
15	6	09-204	3/8"-16 Nylon Nut
16	2	09-373	3/8"-16 x 1 1/4" Carriage Bolt
17	2	15-109	UCP207-20, 1 1/4" Pillow Block Bearing EZG
18	8	09-107	1/2" Flat Washer
19	1	15-110	808S10H- 1 1/4" Sprocket (EZG) (Small)
20	1	15-127	2BK32-1 Pulley (EZG) (Small)
21	1	15-128	2BK110-1 1/4" Pulley (EZG) (SMALL)
22	1	09-3025	5/16"-18 x 2 1/4" Set Screw
23	1	09-203	5/16"-18 Nut
24	2	15-120	1/4" x 1/4" x 1 1/2" Machined Key 5-pkg
25	1	15-104	3/8" x 1 3/4" Machined Key (MH Shaft Key)
26	1	20-120	Model # HONI412 DrainPit
27	1	EZG-A-1	EZG E-Stop Wire Harness
28	1	15-162	SF 1 3/4" Bushing
29	2	15-112	B-46 V-Belt (EZG12)
30	1	15-114	80-IR-R50 Chain-EZG12 (EZG Mixers)
31	1	09-808	9654K226 Spring (EZG)
32	1	15-131	80SF48 Sprocket
33	1	15-116	Master Link (EZG Mixers)
34	1	15-164	#80 Half Link (EZG12)

PARTS LIST

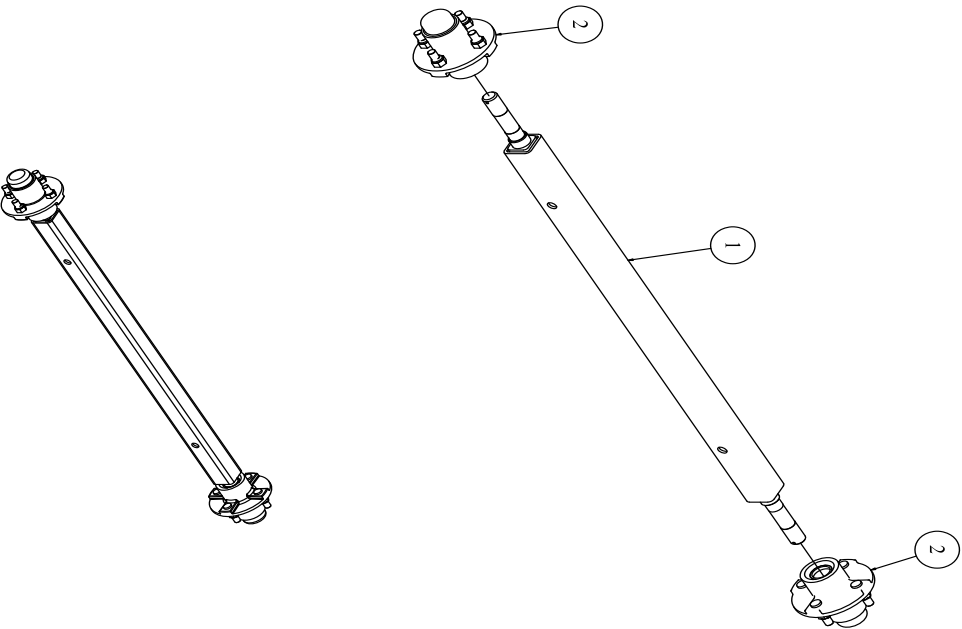
PARTS LIST			
ITEM	QTY	PART NUMBER	DESCRIPTION
1	1	07-127	Complete Hub Assembly-EZG7,EZG9
2	2	07-128	EZG-Wheel Bearing
3	1	07-129	EZG-Dust Seal
4	1	07-130	EZG-Washer
5	1	07-131	EZG-Nut
6	1	07-132	3/32" x 1" Cotter Pin
7	1	07-133	EZG-Dust Cap
8	4	07-134	EZG-Lug Nut

### 07-127 Assembly



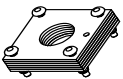
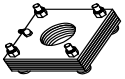
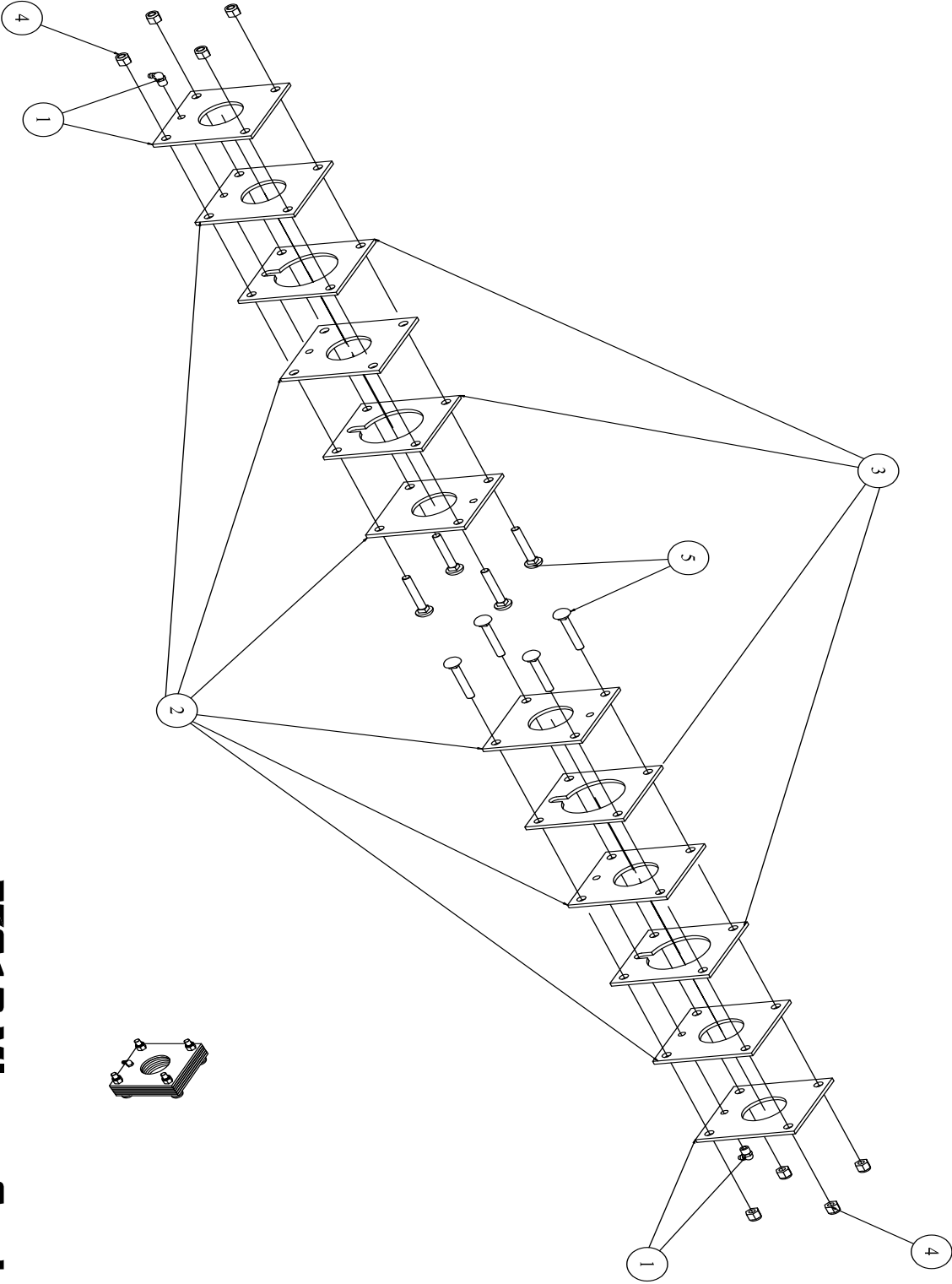
### EZG-A-2 Assembly

PARTS LIST			
ITEM	QTY	PART NUMBER	DESCRIPTION
1	1	EZG-A-6	EZG Axle Welded Assembly
2	2	07-127	EZG Complete Hub Assembly (EZG7,EZG9)



## EZG 12 Mixer - Axle & Hub Assemblies

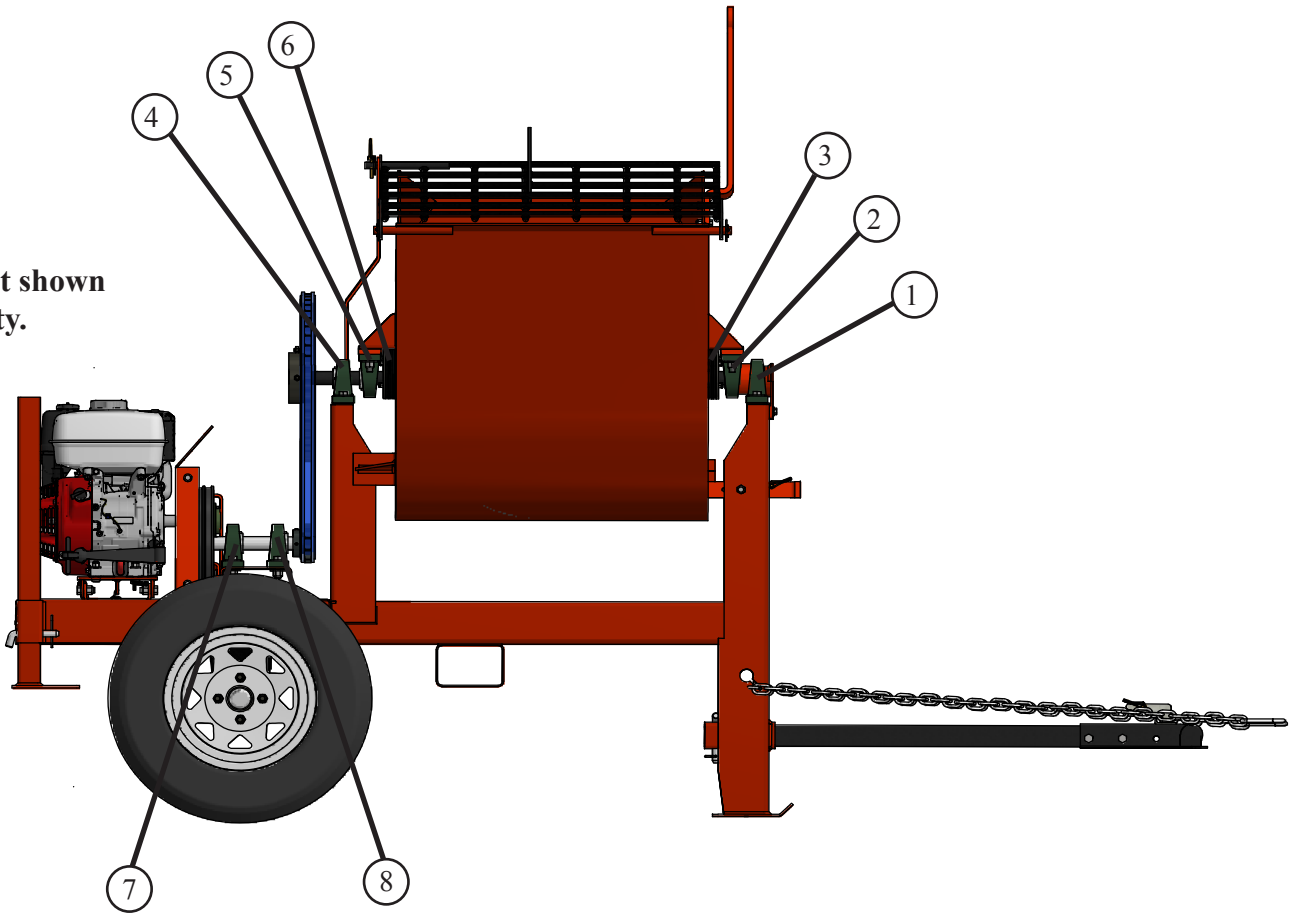
PARTS LIST		
ITEM NUMBER	QTY	PART NUMBER DESCRIPTION
1	2	MH-40 Shaft Seal Outer Plate w/ 90 Deg. Grease Fitting
2	6	13-113 Mud Hog Shaft Seal Urethane
3	4	MH-36 Shaft Seal Inner Plate
4	8	09-204 3/8"-16 Nylon Nut
5	8	09-313 3/8"-16 x 2 1/4" Carriage Bolt



# EZG 12 Mixer - Seal Assembly

# GREASE FITTING LOCATIONS

Hood not shown  
for clarity.

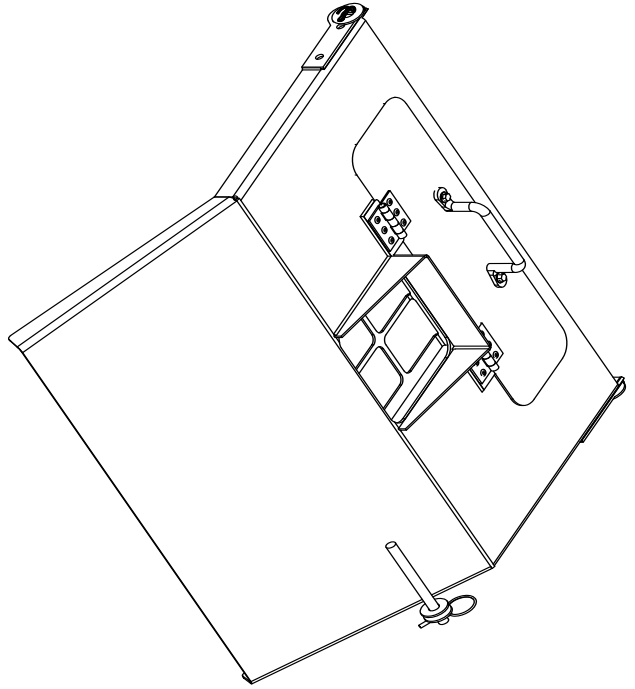


ITEM	DESCRIPTION
1	BEARING
2	BEARING
3	SHAFT SEAL
4	BEARING
5	BEARING
6	SHAFT SEAL
7	BEARING
8	BEARING

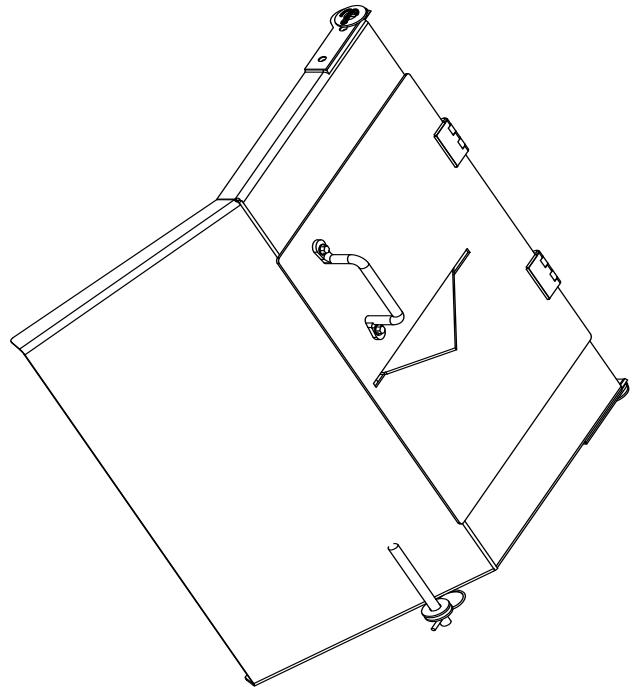
**NOTE: Check ALL grease fittings daily.  
Grease as needed.**



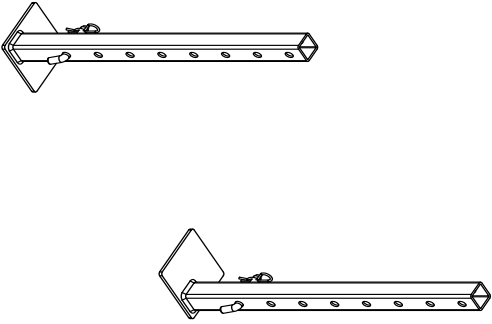
**EZG 12-A-8 (Silo Solid Grate Assembly)**



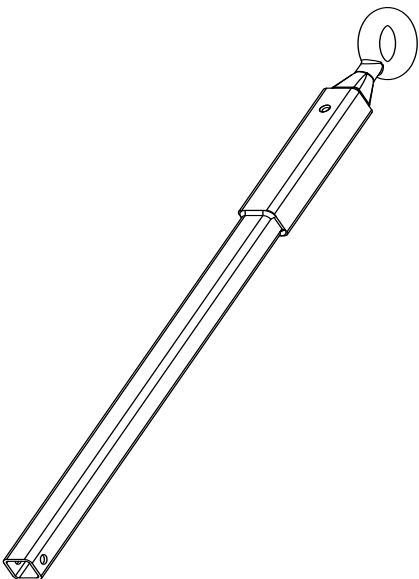
**EZG 12-A-9 (Bag Ripper Solid Grate Assembly)**



**EZG9-A-40 (EZG9 LEG KIT)**



**EZG-A-9 (Pintle Tongue Assembly)**



**EZG 12 Mixer - Options**



# WARRANTY

## Limited Warranty

The manufacturer warrants that products manufactured shall be free from defects in material and workmanship that develop under normal use for a period of one year on all products from the date of shipment. The foregoing shall be the exclusive remedy of the buyer and the exclusive liability of the manufacturer. Our warranty excludes normal replaceable wear items, i.e. gaskets, wear parts, seals, O-rings, belts, drive chains, clutches, etc. Any equipment, part or product which is furnished by the manufacturer but manufactured by another, bears only the warranty given by such other manufacturer. (Manufacturer agrees to furnish free of charge a written description of problem or cause.) Warranty is voided by product abuse, alterations, use of equipment in applications for which it was not intended, use of non-manufacturer parts, or failure to follow documented service instructions. The foregoing warranty is exclusive of all other warranties whether written or oral, expressed or implied. No warranty of merchantability or fitness for a particular purpose shall apply. The agents, dealers, and employees of Manufacturer are not authorized to make modifications to this warranty, or additional warranties binding on the Manufacturer. Therefore, additional statements, whether oral or written, do not constitute warranty and should not be relied upon.

The Manufacturer's sole responsibility for any breach of the foregoing warranty provisions, with respect to any product or part not conforming to the Warranty or the description herein contained, is at its option (a) to repair, replace, or refund such product or parts upon the prepaid return thereof to location designated specifically by the Manufacturer. Product returns not shipped prepaid will be refused (b) as an alternative to the foregoing modes of settlement- the Manufacturer's dealer may repair defective units with reimbursement for expenses. A written description of problem or cause must accompany all warranty claims.

Except as set forth here in above and without limitation of the above, there are no warranties or other affirmation which extend beyond the description of the products on the fact here of, or as to operational efficiency, product reliability, or maintainability or compatibility with products furnished by others. In no event, whether as a result of breach of contract or warranty or alleged negligence, shall the Manufacturer, be liable for special or consequential damages including but not limited to: Loss of profits or revenue, loss of use of the product or any associated product, cost of capital, cost of substitute products, facilities or services or claims of customers. Manufacturer does not assume responsibility for any accident due to equipment modification.

No claim will be allowed for products lost or damaged in transit. Such claims should be filed with the carrier within fifteen days.

Effective July 20, 2005

EZG MANUFACTURING is the exclusive manufacturer of the patented Grout Hog® Grout Delivery System the Mud Hog® Hydraulic Mixing Station, the Hog Trough® mud pan, the Hog Cart™, the Hog Slopper™, the Booger Hog® Wall Scrubber, the Hog Leg® Wall Brace System, and the Hog Crusher™ Material Recycling System.

Fax Warranty Registration form to 740-962-2037  
or submit online at [www.ezgrout.com](http://www.ezgrout.com) by clicking on  
“Products” then “Warranty Cards”.

## WARRANTY REGISTRATION

CONTACT: \_\_\_\_\_

COMPANY NAME: \_\_\_\_\_

ADDRESS: \_\_\_\_\_

CITY: \_\_\_\_\_ STATE: \_\_\_\_\_ ZIP: \_\_\_\_\_

PHONE: ( ) - - FAX: ( ) - - EMAIL: \_\_\_\_\_

PURCHASED FROM:  Direct  Distributor \_\_\_\_\_

PURCHASE DATE: \_\_\_\_\_ SERIAL NO. \_\_\_\_\_

PLEASE COMPLETE THIS WARRANTY CARD, AND RETURN VIA MAIL, FAX, OR E-MAIL,  
WITHIN 30 DAYS OF PURCHASE TO VALIDATE YOUR MANUFACTURER'S WARRANTY FOR ALL  
EZ GROUT PRODUCTS.

WARRANTY PROVISIONS OF THIS MACHINE ARE HANDLED DIRECTLY THROUGH THE MANUFACTURER.

EZ GROUT CORPORATION \* 405 Watertown Road, WATERFORD, OH 45786 \*

FAX 740-962-2037 \* Email: [warranty@ezgrout.com](mailto:warranty@ezgrout.com)

*Please take a minute to fill out the survey below so that we can better serve our customers.*

## EZ Survey

**1. WHERE DID YOU FIRST HEAR ABOUT EZ GROUT? (CHECK ONE)**

Masonry Magazine  Website  Newsletter  Referral  Masonry Construction

Other: \_\_\_\_\_

**2. WHAT INFLUENCED YOU TO BUY?  QUALITY  PRICE  EASY TO USE  OTHER**

**3. WHO IS YOUR SALES REPRESENTATIVE?** \_\_\_\_\_

**4. ARE YOU SATISFIED WITH THE CUSTOMER SERVICE YOU RECEIVED?  YES  NO**

Explain: \_\_\_\_\_

**5. WHAT OTHER EZ GROUT PRODUCTS DO YOU OWN?** \_\_\_\_\_

**6. WOULD YOU LIKE TO BE FEATURED IN OUR NEWSLETTER?  YES  NO**

If yes, where can we reach you and what is the best time? \_\_\_\_\_

Comments: \_\_\_\_\_

\_\_\_\_\_

\_\_\_\_\_