



Before using this Hoist Hog®,
study and understand entire
Owner's Manual.

Serial Number _____



Hoist Hog®
EZG Manufacturing
1-800-417-9272

EZG Manufacturing
405 Watertown Road
Waterford, Ohio 45786
(740) 749-3512 or 1-800-417-9272
Fax (740) 962-2037 www.ezgmfg.com

TABLE OF CONTENTS

INTRODUCTION.....	3
ABOUT THIS MANUAL.....	3
GENERAL INFORMATION.....	3
SAFETY INFORMATION.....	3
SAFETY PRECAUTIONS.....	4-5
CALIFORNIA PROPOSITION 65 WARNING.....	5
OPERATING INSTRUCTIONS.....	6
DAILY MAINTENANCE.....	7
OBTAINING SPARE PARTS.....	7
SERVICE RECORDS.....	8
WARNING LABELS AND LOCATIONS.....	9
HOIST HOG® BRICK CAGE ASSEMBLY.....	10
HOIST HOG® BLOCK CAGE ASSEMBLY.....	11
HOIST HOG® WITH HOG CART®.....	12
NOTES.....	13
WARRANTY.....	14
WARRANTY REGISTRATION.....	15

INTRODUCTION

Congratulations on purchasing one of the finest pieces of masonry equipment on the market today! If this is your first EZG Manufacturing product, you will not be disappointed. If you have previously owned an EZG Manufacturing product you will find the same high quality and dependability that you have come to expect from EZG Manufacturing.

ABOUT THIS MANUAL

The purpose of this manual is to inform the owner/employer/and the operator, how to safely operate this piece of equipment, and make them aware of any hazards. It also contains important information regarding assembly, set up, operation, and maintenance. It is the Owner/Employers responsibility to make sure that anyone who operates this machine understands all safety warnings. If you do not understand any items in this manual, please contact the dealer where this product was purchased, or the manufacturer at the number listed throughout this manual. If you have any suggestions about how to make this manual easier to understand, contact the manufacturer. Keep this manual available for reference wherever this piece of equipment is being used and make it available to any operators.

GENERAL INFORMATION

Illustrations in this manual may show details or components that may not be the same as your machine. Continuing improvements to the design of this machine may have caused changes that are not included in this manual. The information in this document is subject to change without notice.

SAFETY INFORMATION

The following safety symbols and signal words will be used throughout this manual and on the product, for your safety and the safety of others, please become familiar with their meaning and heed their warnings.



This symbol, either used alone or with a signal word, is used to call your attention to instructions involving your safety and/or the safety of others. Failure to follow these instructions will likely result in personal injury or death.



DANGER

This signal word is used to identify a hazard which, if not avoided, will result in death or serious injury.



WARNING

This signal word is used to identify a hazard which, if not avoided, could result in death or serious injury.



CAUTION

This signal word is used to identify a hazard which, if not avoided, could result in minor or moderate injury.

NOTICE

This signal word is used to identify a hazard which, if not avoided, could result in property or equipment damage. It also may be used for special instructions related to performance, maintenance or general items.

SAFETY PRECAUTIONS



WARNING

Failure to obey the following safety instructions could result in DEATH or SERIOUS INJURY.

Read and understand entire manual before operating the Hoist Hog®

For your safety and the safety of others, replace any missing or damaged warning decals by contacting the manufacturer at 1-800-417-9272.

Make sure anyone operating the Hoist Hog® is thoroughly familiar with its operation. Keep all unauthorized and untrained personnel, especially children away from Hoist Hog®.

The operator of this lifting device must uphold all standards set forth by ASME B30.20 Below the Hook Lifting Devices

Never operate machine with guards or safety devices removed or open. Do not alter any safety guards.

Keep all body parts, clothing, jewelry and solid objects away from all moving parts.

Never perform any work on the Hoist Hog® while in use. Before working on or cleaning the Hoist Hog®, disconnect from lifting device.

Never operate the Hoist Hog® under the influence of alcohol, drugs, or medications.

This Hoist Hog® has been designed and built as a means to lift materials safely, and should not be used for anything other than its intended purpose.

Consult the crane manufacturers specifications to insure load capacity is not exceeded.

Model	Empty Weight	Max Gross Weight
Brick	600 Lbs.(272.2 kg)	3,250 Lbs. (1474.2 kg)
Block	800 Lbs. (362.9 kg)	5,000 Lbs. (2268.0 kg.)

Do Not Exceed Maximum Gross Weight

Never stand under an elevated Hoist Hog®.

Never attempt to ride the Hoist Hog®.

The Hoist Hog® shall not be used for side pulls.

Do not let the Hoist Hog® come into contact with obstructions.

Always know the location of nearest fire extinguishers, first aid kit, and emergency personnel phone numbers in case of emergency.

SAFETY PRECAUTIONS



CAUTION

Failure to obey the following safety instructions could result in MINOR or MODERATE INJURY.

Inspect all fasteners, bolts and welds for nicks, cracks, cuts, damage, wear or looseness before each use. Repair as needed.

Always wear approved PPE, including glasses, glove and hard hats when operating a Hoist Hog®.

Do not use the Hoist Hog® with accessories or attachments not recommended by EZG Manufacturing, as damage to equipment or operator might result.

The lifting device if modified must be analyzed by a qualified firm of lifting devices, tested and re-rated according to ANSI/ASME B30.20 standards.

NOTICE

Use only factory authorized parts and accessories.

California - Proposition 65 Warning

Engine exhaust and some of its constituents, and some dust created by power sanding, sawing, grinding, drilling, and other construction activities contains chemicals known to the State of California to cause cancer, birth defects and other reproductive harm. Some examples of these chemicals are:

Lead from lead based paints - Crystalline silica from bricks -Cement and other masonry products -Arsenic and chromium from chemically treated lumber

Your risk from these exposures varies, depending on how often you do this type of work. To reduce your exposure to these chemicals: ALWAYS work in a well ventilated area, and work with approved safety equipment, such as dust masks that are specially designed to filter out microscopic particles.

OPERATING INSTRUCTIONS

Before operating the Hoist Hog® it should be properly set up on the jobsite. The Hoist Hog® may be lifted by using an overhead crane. The **BRICK** Hoist Hog® weighs 600 lbs (272.2 kg) empty and 3,250 lbs (1474.2 kg) full and the **BLOCK** Hoist Hog® weighs 800 lbs (362.9 kg) empty and 3,250 lbs (2268.0 kg) full. Check crane ratings before attempting to move the Hoist Hog®.

Notice! The operator shall preform a pre-lift inspection per ASME B30.20 standards.



Warning! This equipment is to be operated by trained and qualified personnel over the age of 18. Death or serious injury can result.

1. Attach the Hoist Hog® to the crane.



Warning! When connecting, the operator shall make sure that chains and or cables are not kinked or twisted.

2. Load the Hoist Hog®. The Hoist Hog® may be loaded in one of two ways:
Open the gate and wheel in the materials or lower the cage over the materials.

Notice! This equipment is designed and may be used with the Hog Cart® or the Hog Trough® (both sold separately). See page 12.

3. Install the support bars under the material to be lifted.



Warning! Make sure support bars are installed in the correct support bar openings that will keep the load level. Death or serious injury can result.

4. Lift the materials to the desired location. Care shall be taken so there is not sudden acceleration or deceleration of the load.



Warning! If load is not level, lower back to ground and re-position the support bars. Death or serious injury can result.

5. Once the Hoist Hog® has been lifted and placed in the desired position, remove the support bars.



Warning! Hoist Hog® must be placed on a level surface. Serious injury can result.

6. Unload the Hoist Hog®. The Hoist Hog® may be unloaded in one of two ways:
Open the gate and wheel out the materials or raise the cage over and away from the materials.

7. Reinstall the support bars and lower the Hoist Hog® back to the ground.

DAILY MAINTENANCE

Notice! Maintenance of the lifting device shall be in accordance to ASME B 30.20-1.3.9 standards.

1. Check all welds and bolts. If a cracked weld is found, do not operate the Hoist Hog® until repaired by qualified personnel. Tighten any loose bolts.
2. Check support bars and support bar openings. Replace if bent or damaged.



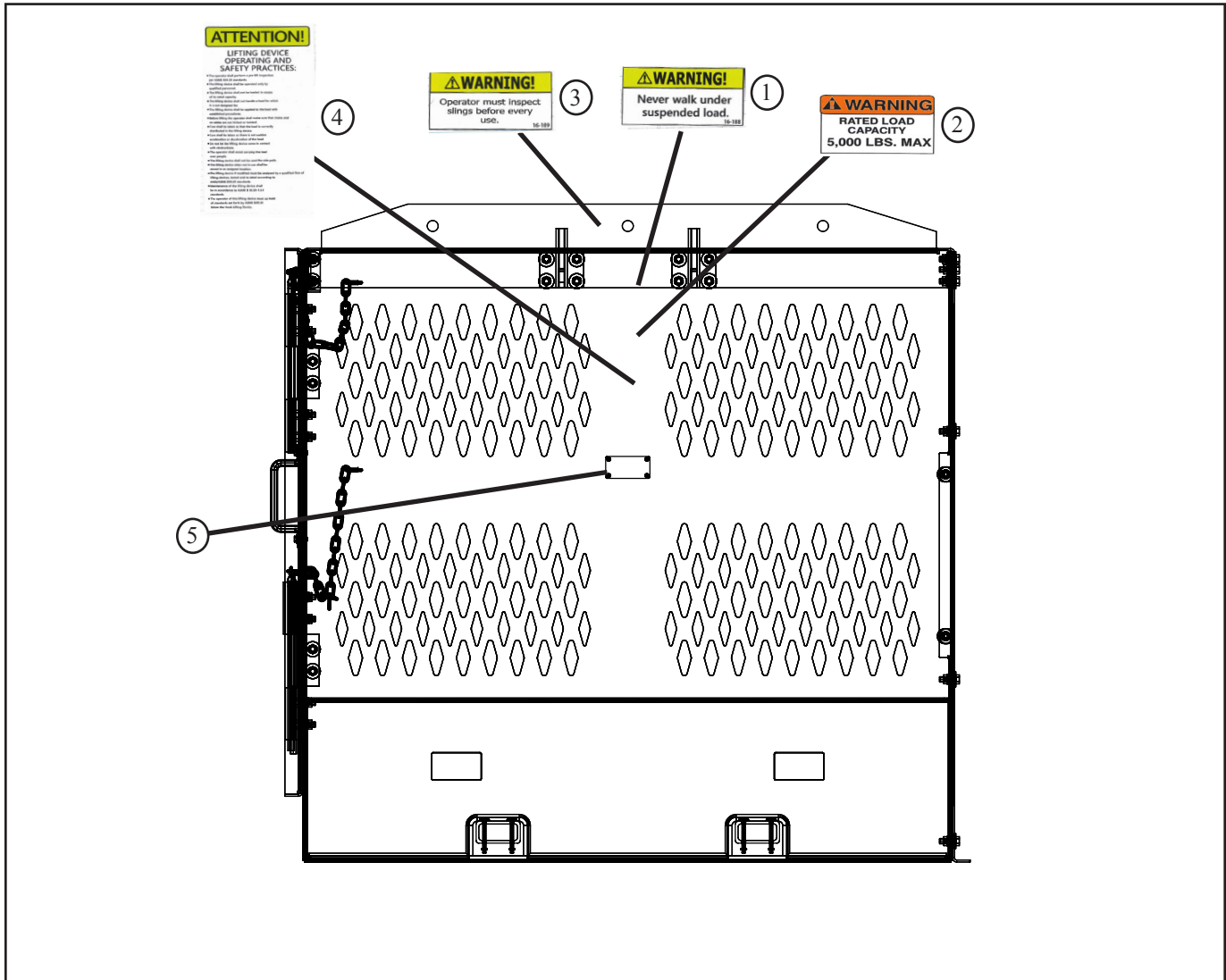
Warning! Never operate Hoist Hog® with a bent or damaged support bar. Death or serious injury can result.

OBTAINING SPARE PARTS

Spare parts for your Hoist Hog® may be obtained by the following procedure:

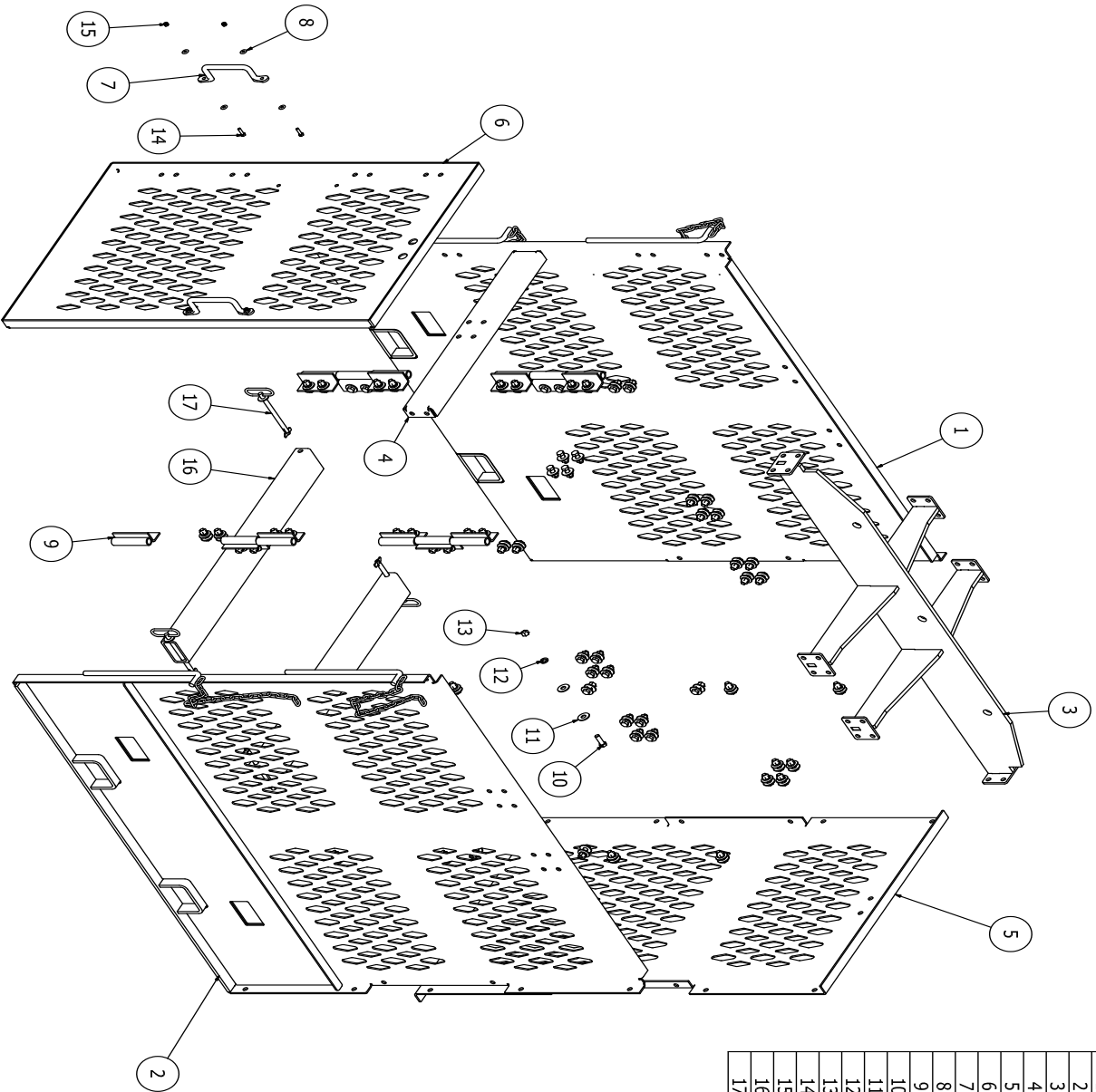
1. Record the information from the serial number tag located on the frame.
2. Using the parts reference table in this manual, record the part number or component.
3. Contact your local Hoist Hog® dealer or EZG Manufacturing at 1-800-417-9272 with the information recorded.

WARNING LABELS AND LOCATIONS

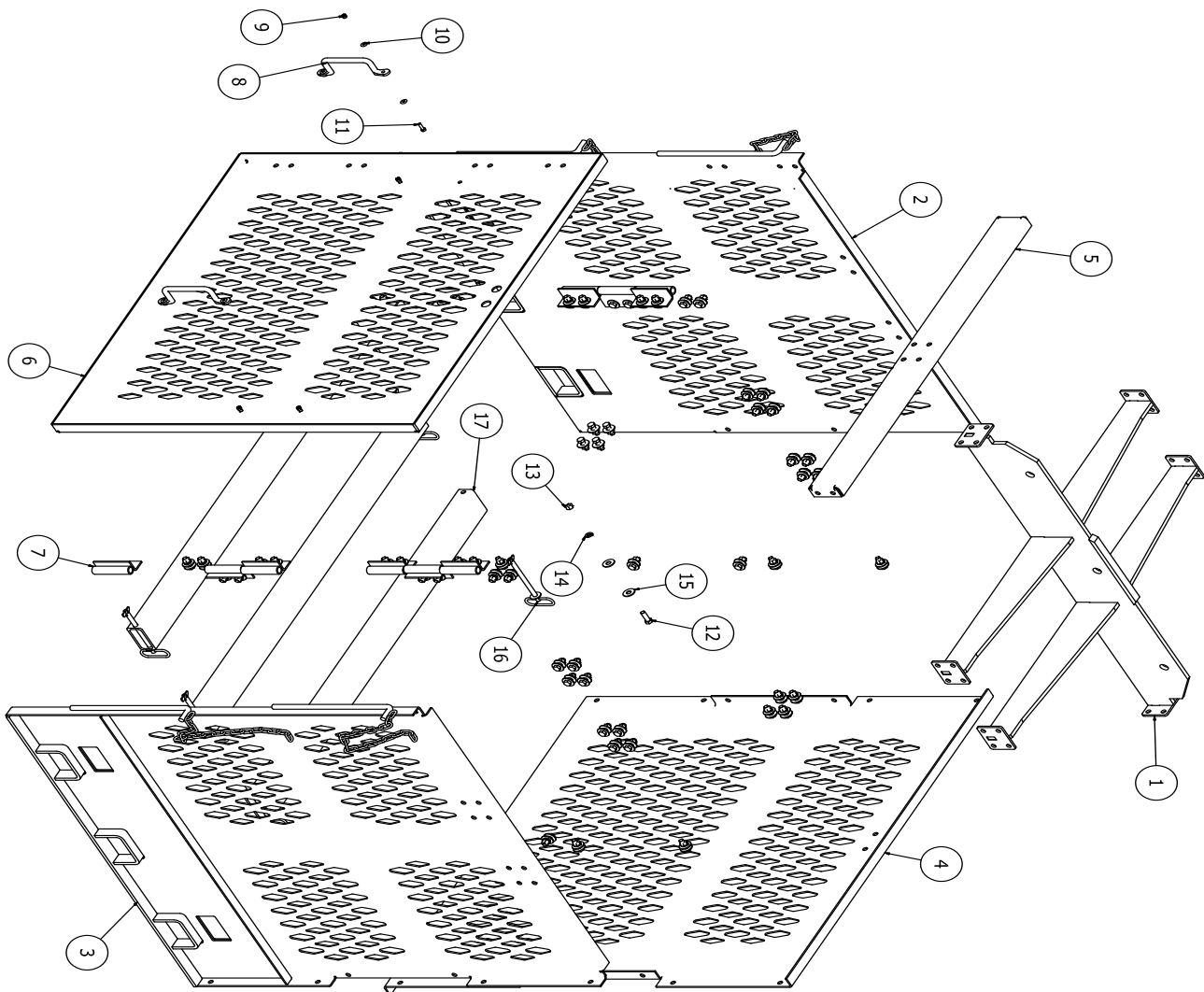


ITEM	PART NUMBER	DESCRIPTION	QTY
1	16-188	WARNING Never Walk Under Suspended Load	1
2	16-225	WARNING Rated Load Capacity - BLOCK CAGE	1
	16-	WARNING Rated Load Capacity - BRICK CAGE	1
3	16-189	WARNING Operator Must Inspect Slings Before Every Use	1
4	16-216	ATTENTION Lifting Device Operating and Safety Practices	1
5		Serial Tag Location	1

PARTS LIST			
ITEM NUMBER	QTY	PART NUMBER	DESCRIPTION
1	1	700-A-6	HHBR-Left Side Panel Welded Assembly
2	1	700-A-7	HHBR-Right Side Panel Welded Assembly
3	1	700-A-4	HHBR-Lifting Bale Welded Assembly
4	1	700-005	HHBR-Gate End Top Channel
5	1	700-003	HHBR-Cage End Panel
6	1	700-013	HHBR-Cage Gate Panel
7	2	20-100	Grab Handle GH Discharge, MH9, MH12, MH20
8	8	09-104	1/4" Flat Washer
9	12	700-A-5	HH-Hinge Assembly
10	64	09-317	1/2"-13 x 1 1/2" GR5 Bolt
11	124	09-107	1/2" Flat Washer
12	64	09-103	1/2" Lock Washer
13	64	09-209	1/2"-13 Nut
14	4	09-342	5/16"-18 x 1" GR5 Bolt
15	4	09-202	5/16"-18 Nylon Nut
16	2	700-502	HHBR-Cart Lifting Tube 2" x 4" x 1/4" x 1/4" x 36 1/2" Long
17	4	09-432	1/2" x 5 1/2" Hitch Pin w/Lock

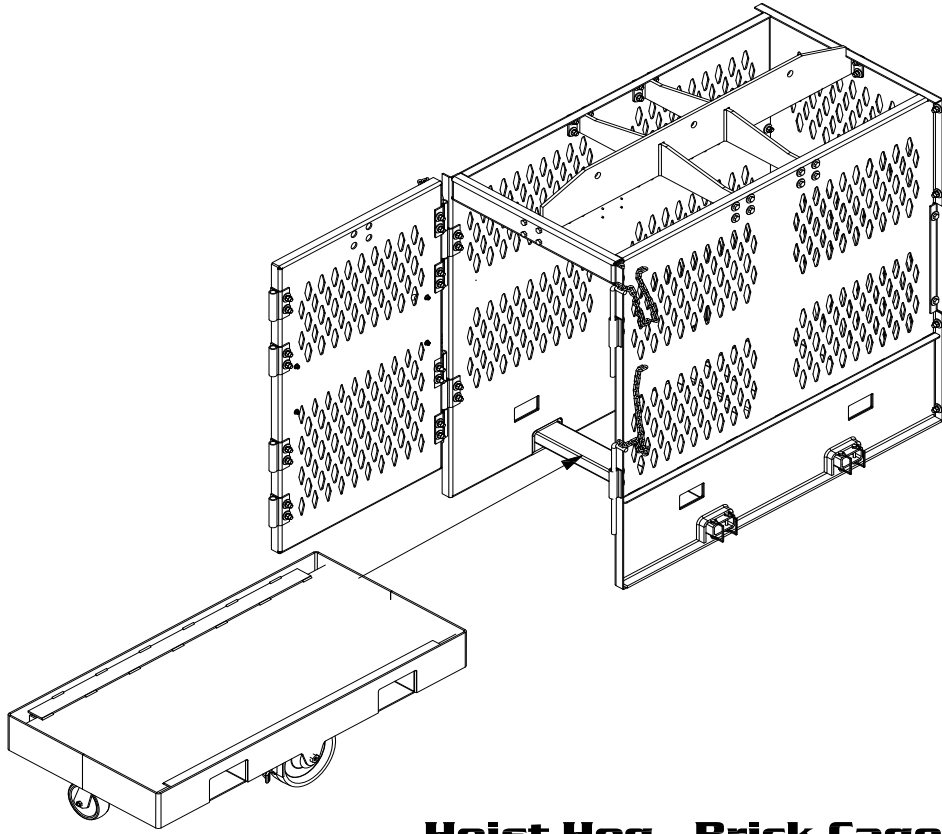


Brick Hoist Hog Assembly

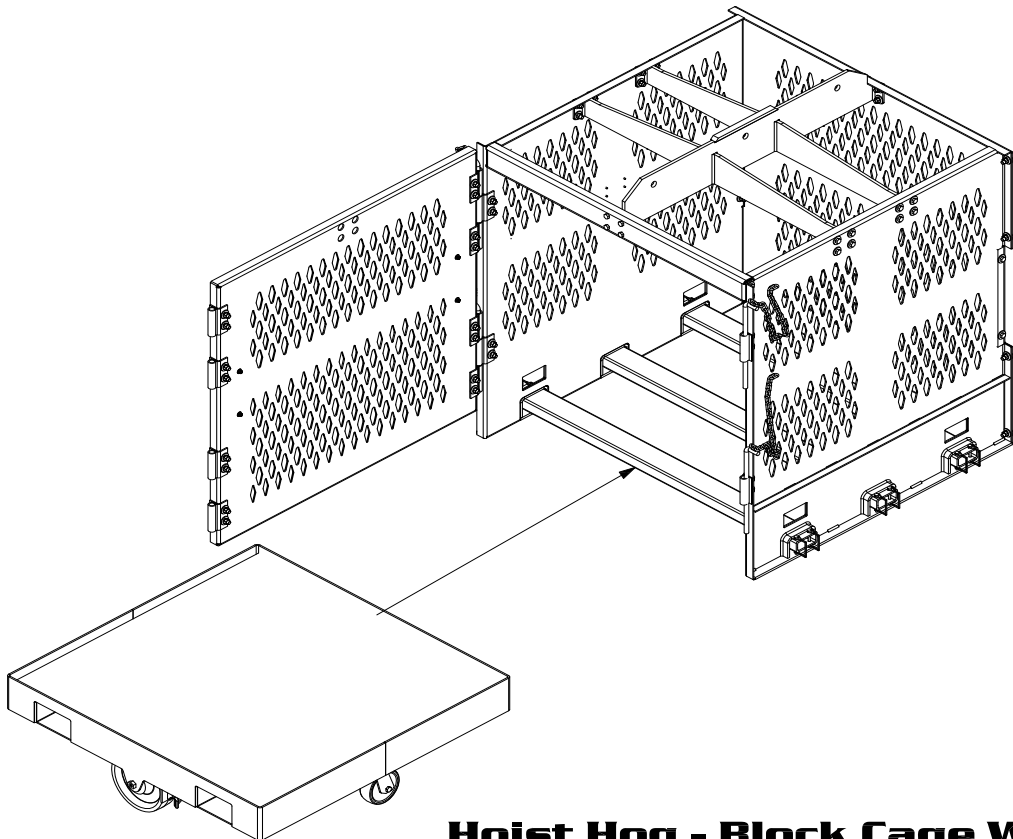


PARTS LIST		
ITEM NUMBER	QTY	PART DESCRIPTION
1	1	701-A-4 HHBL -Lifting Bale Welded Assembly
2	1	701-A-5 HHBL -Left Side Panel Welded Assembly
3	1	701-A-6 HHBL -Right Side Panel Welded Assembly
4	1	701-003 Hoist Hog Block Cage End Panel
5	1	701-005 HHBL-Cage End Top Channel
6	1	701-015 HHBL-Gate
7	12	700-A-5 HH Hinge Assembly
8	2	20-100 Grab Handle GH Discharge, MH9, MH12, MH20
9	4	09-202 5/16" -18 Nylon Nut
10	8	09-104 1/4" Flat Washer
11	4	09-342 5/16" -18 x 1" GR5 Bolt
12	64	09-317 1/2"-13 x 1 1/2" GR5 Bolt
13	64	09-209 1/2"-13 Nut
14	64	09-103 1/2" Lock Washer
15	124	09-107 1/2" Flat Washer
16	6	09-432 1/2" x 5 1/2" Hitch Pin w/Lock
17	3	701-502 HHBL-Cart Lifting Tube 2" x 4" x 1/4" Wall x 56 1/2" Long

Block Hoist Hog Assembly



Hoist Hog - Brick Cage With Hog Cart



Hoist Hog - Block Cage With Hog Cart

WARRANTY

Limited Warranty

The manufacturer warrants that products manufactured shall be free from defects in material and workmanship that develop under normal use for a period of one year on all products from the date of shipment. The foregoing shall be the exclusive remedy of the buyer and the exclusive liability of the manufacturer. Our warranty excludes normal replaceable wear items, i.e. gaskets, wear parts, seals, O-rings, belts, drive chains, clutches, etc. Any equipment, part or product which is furnished by the manufacturer but manufactured by another, bears only the warranty given by such other manufacturer. (Manufacturer agrees to furnish free of charge a written description of problem or cause.) Warranty is voided by product abuse, alterations, use of equipment in applications for which it was not intended, use of non-manufacturer parts, or failure to follow documented service instructions. The foregoing warranty is exclusive of all other warranties whether written or oral, expressed or implied. No warranty of merchantability or fitness for a particular purpose shall apply. The agents, dealers, and employees of Manufacturer are not authorized to make modifications to this warranty, or additional warranties binding on the Manufacturer. Therefore, additional statements, whether oral or written, do not constitute warranty and should not be relied upon.

The Manufacturer's sole responsibility for any breach of the foregoing warranty provisions, with respect to any product or part not conforming to the Warranty or the description herein contained, is at its option (a) to repair, replace, or refund such product or parts upon the prepaid return thereof to location designated specifically by the Manufacturer. Product returns not shipped prepaid will be refused (b) as an alternative to the foregoing modes of settlement- the Manufacturer's dealer may repair defective units with reimbursement for expenses. A written description of problem or cause must accompany all warranty claims.

Except as set forth here in above and without limitation of the above, there are no warranties or other affirmation which extend beyond the description of the products on the fact here of, or as to operational efficiency, product reliability, or maintainability or compatibility with products furnished by others. In no event, whether as a result of breach of contract or warranty or alleged negligence, shall the Manufacturer, be liable for special or consequential damages including but not limited to: Loss of profits or revenue, loss of use of the product or any associated product, cost of capital, cost of substitute products, facilities or services or claims of customers. Manufacturer does not assume responsibility for any accident due to equipment modification.

No claim will be allowed for products lost or damaged in transit. Such claims should be filed with the carrier within fifteen days.

Effective July 20, 2005

EZG Manufacturing is the exclusive manufacturer of the patented Grout Hog® Grout Delivery System the Mud Hog® Hydraulic Mixing Station, the Hog Trough® mud pan, the Hog Cart™, the Hog Slopper™, the Booger Hog® Wall Scrubber, the Hog Leg® Wall Brace System, and the Hog Crusher™ Material Recycling System.

Fax Warranty Registration form to 740-962-2037
or submit online at www.ezgmfg.com by clicking
on "Products" then "Warranty Cards".

WARRANTY REGISTRATION

CONTACT: _____

COMPANY: _____

ADDRESS: _____

CITY: _____ STATE: _____ ZIP: _____

TEL: (____) ____-____ FAX: (____) ____-____ CELL: (____) ____-____

EMAIL: _____

PURCHASED FROM: Direct Distributor: _____

PURCHASE DATE: _____ SERIAL NO. _____

**PLEASE COMPLETE THIS WARRANTY CARD, AND RETURN VIA MAIL, FAX, OR E-MAIL,
WITHIN 30 DAYS OF PURCHASE TO VALIDATE YOUR MANUFACTURER'S WARRANTY
FOR ALL EZG MANUFACTURING PRODUCTS.**

**WARRANTY PROVISIONS OF THIS MACHINE ARE HANDLED DIRECTLY THROUGH
THE MANUFACTURER.**

EZG MANUFACTURING * 1833 North Riverview Road, Malta, OH 43758 *

PHONE 1-800-417-9272 * Email: warranty@ezgmfg.com * FAX 740-962-2037

Please take a minute to fill out the survey below so that we can better serve our customers.

EZ Survey

1. WHERE DID YOU FIRST HEAR ABOUT EZG MANUFACTURING? (CHECK ONE)

Masonry Magazine Website Newsletter Referral Masonry Construction

Other: _____

2. WHAT INFLUENCED YOU TO BUY? QUALITY PRICE EASY TO USE OTHER

3. WHO IS YOUR SALES REPRESENTATIVE? _____

4. ARE YOU SATISFIED WITH THE CUSTOMER SERVICE YOU RECEIVED? YES NO

Explain: _____

5. WHAT OTHER EZG MANUFACTURING PRODUCTS DO YOU OWN?

6. WOULD YOU LIKE TO BE FEATURED IN OUR NEWSLETTER? YES NO

If yes, where can we reach you and what is the best time?

Comments: _____

