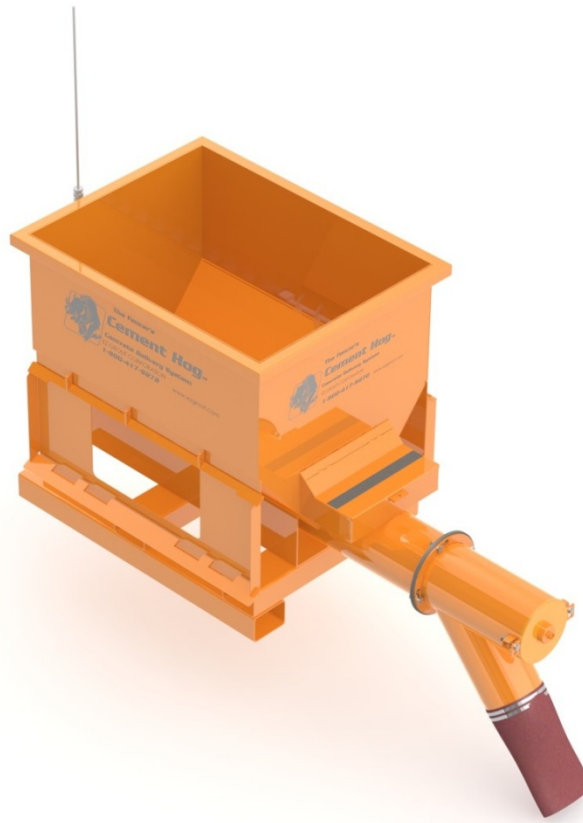




Before Using this **CEMENT HOG[®]**,
Study and understand entire
Owner's Manual.

Serial Number _____

Fencer's
CEMENT HOG[™] (FCH 50)
(13.5ft³ (0.38 m³))



Owner's Manual



Cement Hog[™]
EZG Manufacturing
1-800-417-9272

EZ Grout Corporation
1833 N. Riverview Road
Malta, Ohio 43758
1-800-417-9272 Fax (740) 962-2037
www.ezgmfg.com

Table of Contents

Introduction.....	1
About this Manual.....	1
General Information.....	1
Safety Information.....	1
Safety Precautions.....	2
Safety Precautions.....	3
Setup Instructions.....	4
Operating Instructions.....	4
Clean Up.....	4
Obtaining Spare Parts.....	5
Warning Labels and Locations.....	6
Frame Assembly.....	7
Auger Assembly.....	8
Warranty.....	9
Warranty Registration.....	10



Introduction

Congratulations on purchasing one of the finest pieces of masonry equipment on the market today! If this is your first EZG Manufacturing product, you will not be disappointed. If you have previously owned an EZG Manufacturing product you will find the same high quality and dependability that you have come to expect from EZG Manufacturing.

About this Manual

The purpose of this manual is to inform the owner, employer, and the operator's of the unit, how to safely operate this piece of equipment, and make them aware of any hazards. It also contains important information regarding assembly, set up, operation, and maintenance. It is the Owner/Employer's responsibility to make sure that anyone who operates this machine understands all safety warnings. If you do not understand any items in this manual, please contact the dealer where this product was purchased, or the manufacturer at the number listed throughout the manual. If you have any suggestions about how to make this manual easier to understand, contact the manufacturer. Keep this manual available for reference wherever this piece of equipment is being used and make it available to any operators.

General Information

Illustrations in this manual may show details or components that may not be the same as your machine. Continuing improvements to the design of this machine may have caused changes that are not reflected in this manual. The information in this document is subject to change without notice.

Safety Information

The following safety symbols and signal words will be used throughout this manual and on the product, for your safety and the safety of others, please become familiar with their meaning and heed their warnings.



This symbol, either used alone or with a signal word, is used to call your attention to instructions involving your safety and/or the safety of others. Failure to follow these instructions could result in personal injury or death.



DANGER

This signal word is used to identify a hazard which, if not avoided, will result in death or serious injury.



WARNING

This signal word is used to identify a hazard which, if not avoided, could result in death or serious injury



CAUTION

This signal word is used to identify a hazard which, if not avoided, could result in minor or moderate injury.

NOTICE

This signal word is used to identify a hazard which, if not avoided, could result in property or equipment damage. It also may be used for special instructions related to performance, maintenance or general items.



Safety Precautions

NOTICE

In this manual, Hog is commonly referred as “unit” or “delivery station”.



WARNING

Failure to obey the following safety instructions could result in DEATH or SERIOUS INJURY.

Read and understand entire manual before operating any EZG Manufacturing product.

For your safety and the safety of others, replace any missing or damaged warning decals by contacting the manufacturer at 1-800-417-9272.

Make sure anyone operating the unit is thoroughly familiar with its operation. Keep all unauthorized and untrained personnel, especially children, away from the unit.

Never operate the unit with safety grate, guards or safety devices removed or open. Do not alter any safety guards.

Stay clear of auger while the unit is running. Keep all body parts, clothing, jewelry and solid objects away from moving parts.

Never perform any work on the unit while it is running. Before working on or cleaning the unit, shut off engine and disconnect spark plug wire.

Never operate the unit under the influence of alcohol, drugs, or medications.

This **CEMENT Hog** has been designed and built as a material delivery station, and should not be used for anything other than its intended purpose.

If used, consult forklift manufacturers specifications to insure load capacity is not exceeded.

Never stand under an elevated unit.

Stay clear of moving parts while the unit is in operation.

Model	Empty Weight	Max Gross Weight
FCH50	790 lbs. (360 kg)	2790 lbs. (1268 kg)

Do not exceed Maximum Gross Weight

Operate only in properly vented environments.

Avoid breathing dust produced while using the unit. Dust may contain crystalline silica and may cause serious health problems.

Do not operate near combustible materials.

Do not smoke around the unit.



Safety Precautions *(cont.)*

Always know the location of nearest fire extinguisher, first aid kit, and emergency personnel phone numbers in case of emergency.



CAUTION

Failure to obey the following safety instructions could result in **MINOR or MODERATE INJURY**.

Inspect all fasteners, bolts and welds for nicks, cracks, cuts, damage, wear or looseness before each use. Repair as needed.

Inspect all hoses and fittings for signs of damage, wear, scrapes, kinks or cracking. Replace hoses if any of these conditions are found. It is recommended to replace all hydraulic hoses every 5 years.

Always wear approved PPE, including glasses, hearing protection, hard hats, and ventilation masks when operating the mixer.

Do not use the unit as a lifting device or with accessories or attachments not recommended by EZG Manufacturing, as damage to equipment or injury to operator may occur.

Allow system to cool before performing any repairs or service, such as adding oil.

NOTICE

Use only factory authorized parts.

Used lubricants such as engine oil and hazardous waste must be taken to an authorized disposal or recycling center.



Setup Instructions

Before operating the **Cement Hog** it should be properly set up on the job site (the unit may be lifted by using a forklift). The FCH50 weighs 790 lb. (360kg) empty and 2790 lb. (1268 kg) full. Check forklift ratings before attempting to move the unit.

Operation Instructions

1. Attach the cement hog to your skid steer. Consult skid steer owner's manual for attachment procedure.
2. Connect hydraulic hoses to skid steer auxiliary couplers. NOTE: 8GPM@2000PSI Minimum.
3. Cycle the auger to verify unit is operating correctly.
4. Set cement Hog on ground and fill with material. Fill to desired capacity. Caution: Check skid steer manufacturer's specifications to be sure skid steer is designed to handle weight of Cement Hog and material in hopper.

Model	Empty Weight	Max Gross Weight
FCH50	790 lbs. (360 kg)	2790 lbs. (1268 kg)

5. Transport Cement Hog to desired location. Position discharge hose several inches above fence hole and engage auger until hole is filled with material.

Clean Up

1. Set Cement Hog securely on the ground. Disconnect from skid steer.
2. Remove end cap from auger tube.
3. Grasp auger firmly and pull auger straight out of tube.
4. Hose out and brush down hopper, then spray and brush auger until all excess cement is removed.
5. Flush discharge hose until clean.
6. Slide auger back into cement hog so that it fits securely in place.
7. Grease all fittings.

Obtaining Spare Parts

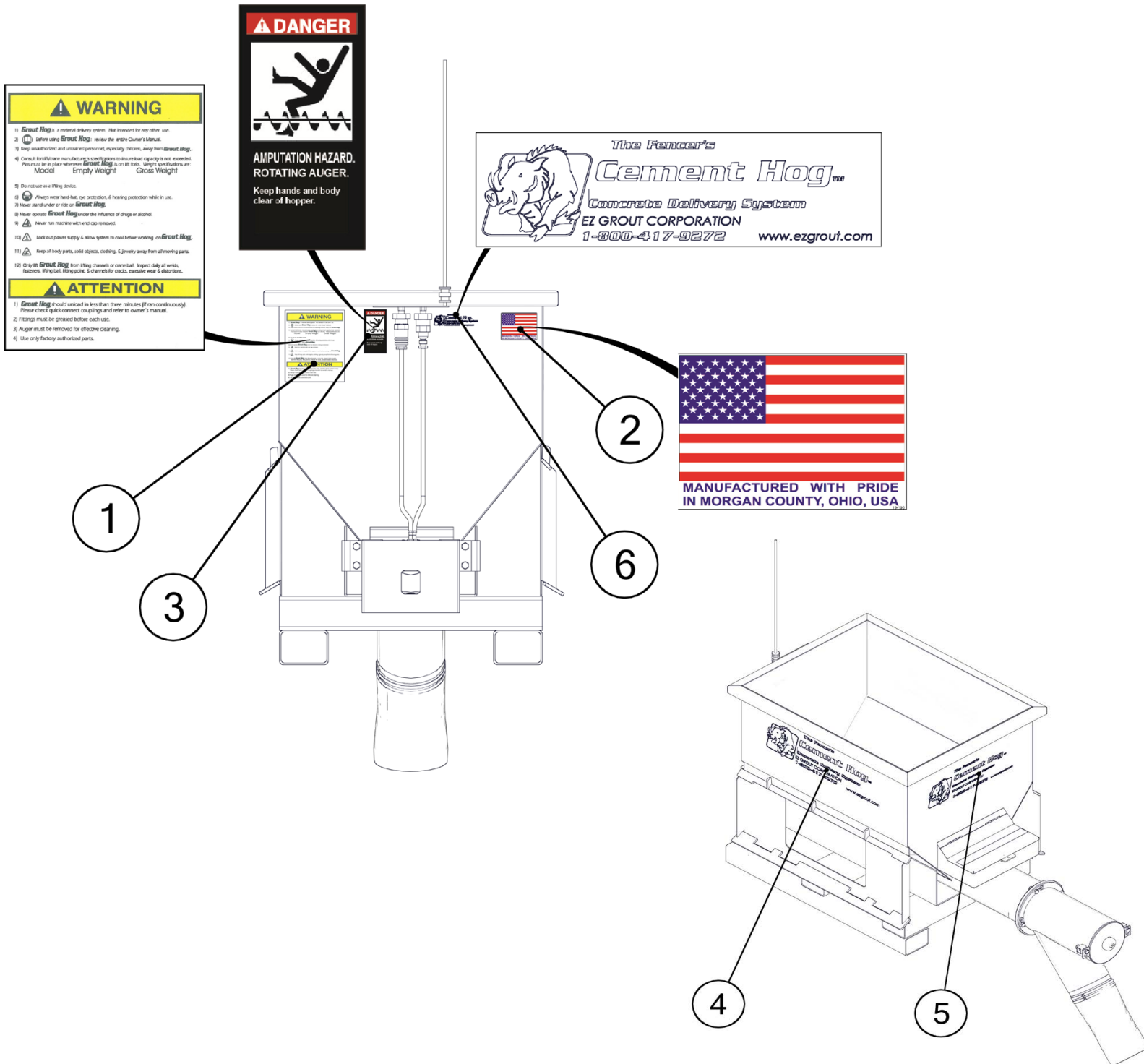
Spare parts for the unit may be obtained by the following procedure:

1. Record the information from the serial number tag.
2. Using the parts reference table in this manual, record the part number or component.
3. Contact your local **Cement Hog**® dealer or EZG Manufacturing at 1-800-417-9272 with the information recorded.

Service Records

SERVICE PERFORMED	DATE	INITIALS

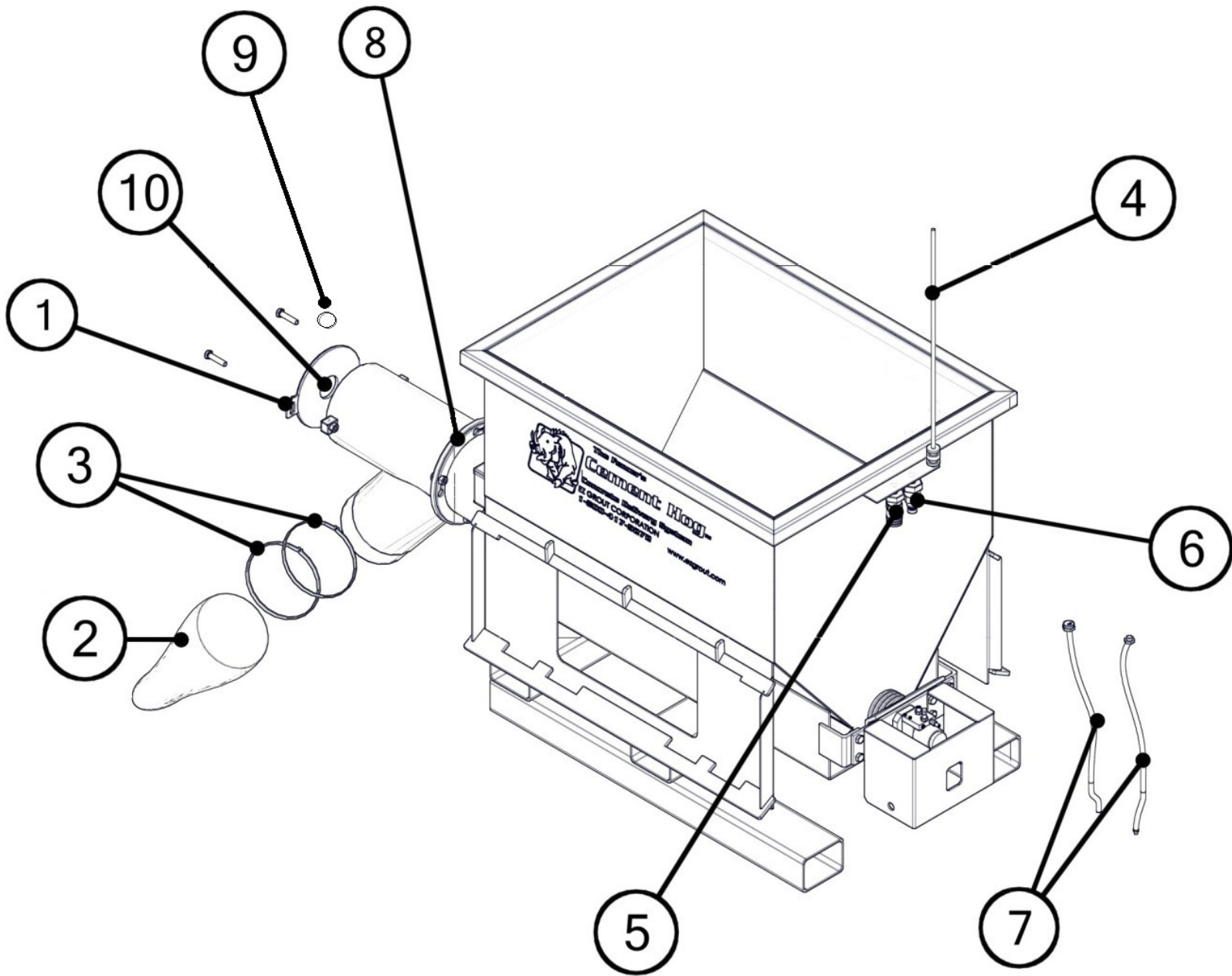
Warning Labels and Locations



ITEM	PART NUMBER	DESCRIPTION	QTY
1	16-103	Warning Label	1
2	16-106	U.S. Flag – Decal	1
3	16-104	Amputation Hazard Decal	1
4	16-180	Fencer's Cement Hog (Large)	2
5	16-181	Fencer's Cement Hog (Small)	1
6	16-102	Clear Grout Hog	1



Frame Assembly

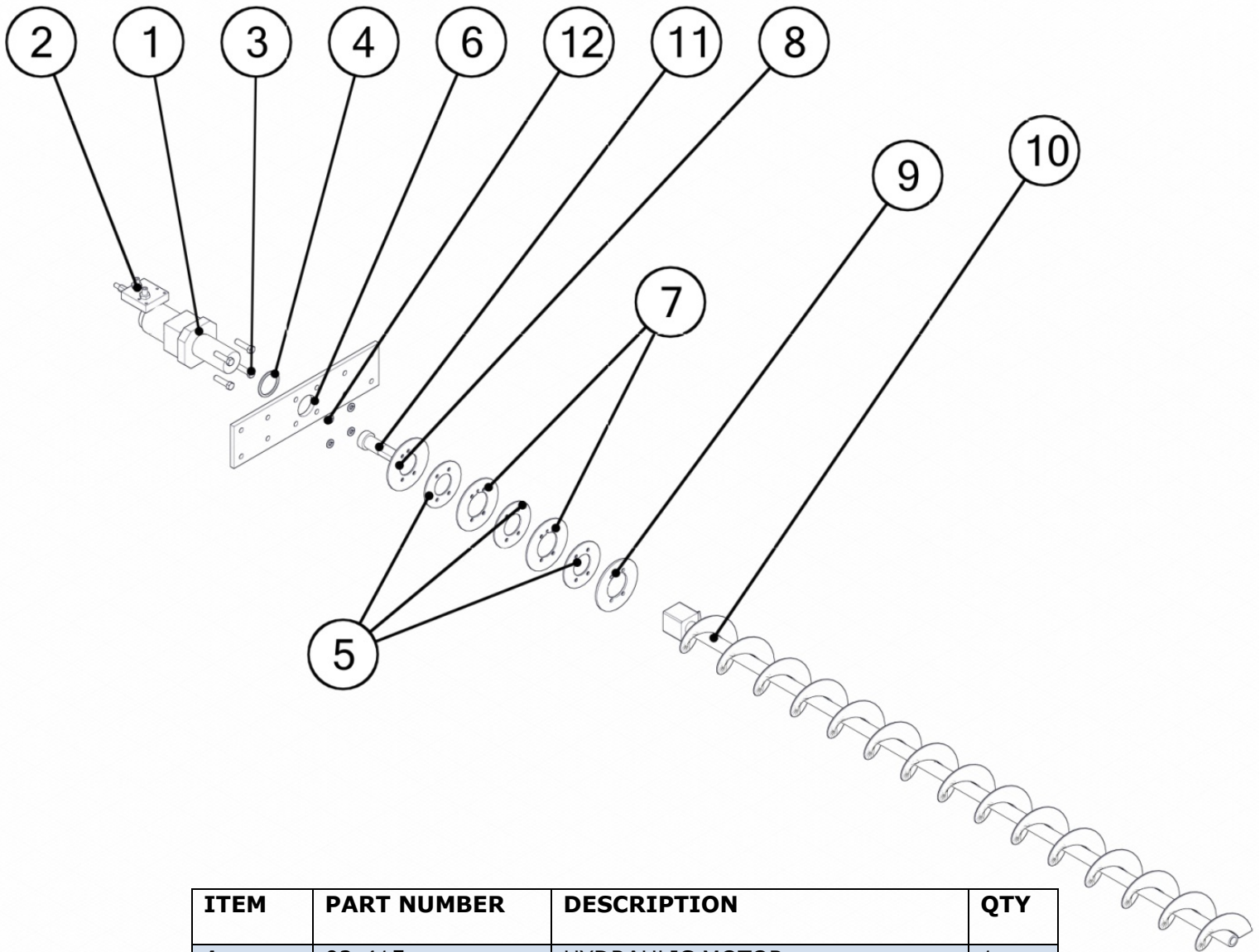


ITEM	PART NUMBER	DESCRIPTION	QTY
1	GH-A-35	10" Snout Cap	1
2	12-112	6" Discharge Hose - Per ft	1
3	12-116	Hose Clamp	2
4	20-102	Pogo Pole	1
5	02-221	Female Disconnect	1

ITEM	PART NUMBER	DESCRIPTION	QTY
6	02-222	Male Disconnect	1
7	GH-A-22	Hydraulic Hose	2
8	13-102	Gasket	1
9	13-162	End Cap O-Ring	1
10	15-100	Auger Shaft Bushing	1



Auger Assembly



ITEM	PART NUMBER	DESCRIPTION	QTY
1	02-415	HYDRAULIC MOTOR	1
2	02-602	SEQUENCE VALVE ASSLY	1
3	09-308	3/8" X 1-1/2" HEX BOLT	4
4	13-115	DUST SEAL	1
5	13-116	RUBBER SEAL	3
6	GH-A-13	MOTOR PLATE	1
7	GH-17	SPACER RING	2
8	GH-18	SEAL SUPPORT RING	1
9	GH-27	INNER SEAL SUPPORT RING	1
10	GH-A-19	AUGER	1
11	GH-A-25	POWER SHAFT CONNNECTOR	1
12	09-102	3/8" LOCK WASHER	4
	GH-A-26	Seal Kit (Includes) GH-A-25(1) GH-27(1) GH-18(1) GH-17(2) 13-116 (3) BOLT KIT(1)	1



Warranty

Limited Warranty

The manufacturer warrants that products manufactured shall be free from defects in material and workmanship that develop under normal use for a period of one year on all products from the date of shipment. The foregoing shall be the exclusive remedy of the buyer and the exclusive liability of the manufacturer. Our warranty excludes normal replaceable wear items, i.e. gaskets, wear parts, seals, O-rings, belts, drive chains, clutches, etc. Any equipment, part or product which is furnished by the manufacturer but manufactured by another, bears only the warranty given by such other manufacturer. (Manufacturer agrees to furnish free of charge a written description of problem or cause.) Warranty is voided by product abuse, alterations, use of equipment in applications for which it was not intended, use of non-manufacturer parts, or failure to follow documented service instructions. The foregoing warranty is exclusive of all other warranties whether written or oral, expressed or implied. No warranty of merchantability or fitness for a particular purpose shall apply. The agents, dealers, and employees of Manufacturer are not authorized to make modifications to this warranty, or additional warranties binding on the Manufacturer. Therefore, additional statements, whether oral or written, do not constitute warranty and should not be relied upon.

The Manufacturer's sole responsibility for any breach of the foregoing warranty provisions, with respect to any product or part not conforming to the Warranty or the description herein contained, is at its option (a) to repair, replace, or refund such product or parts upon the prepaid return thereof to location designated specifically by the Manufacturer. Product returns not shipped prepaid will be refused (b) as an alternative to the foregoing modes of settlement the Manufacturer's dealer may repair defective units with reimbursement for expenses. A written description of problem or cause must accompany all warranty claims.

Except as set forth herein above and without limitation of the above, there are no warranties or other affirmation which extend beyond the description of the products on the fact here of, or as to operational efficiency, product reliability, or maintainability or compatibility with products furnished by others. In no event, whether as a result of breach of contract or warranty or alleged negligence, shall the Manufacturer, be liable for special or consequential damages including but not limited to: Loss of profits or revenue, loss of use of the product or any associated product, cost of capital, cost of substitute products, facilities or services or claims of customers. Manufacturer does not assume responsibility for any accident due to equipment modification.

No claim will be allowed for products lost or damaged in transit. Such claims should be filed with the carrier within fifteen days.

Effective July 20, 2005

EZG Manufacturing is the exclusive manufacturer of the patented **Grout Hog®** Grout Delivery System the **Mud Hog®** Hydraulic Mixing Station, the **Hog Trough®** mud pan, the **Hog Cart™**, the **Hog Slopper™**, the **Booger Hog®** Wall Scrubber, the **Hog Leg®** Wall Brace System, the **Hog Crusher™** Material Recycling System, and the **EZG MIXER®**.



Fax Warranty Registration form to 740-962-2037
Submit on-line at www.ezgrout.com/warranty
or click on "Products" then "Warranty Cards".

Warranty Registration

Contact: _____

Company Name: _____

Address: _____

City: _____ State: _____ Zip: _____

Phone: _____ Fax: _____ Email: _____

Purchased From: _____

Purchased Date: _____ Serial No.: _____

Please complete this warranty card, and return via mail, fax or email, within 30 days of purchase to validate your manufacturer's warranty for all EZG Manufacturing products.

Warranty provisions of this machine are handled directly through the manufacturer.

EZG Manufacturing * 1833 N. Riverview Road, Malta, OH 45758 *

Fax: 740-962-2037 * Email: warranty@ezgrout.com

Please take a minute to fill out the survey below so that we can better serve our customers.

EZ Survey

1. Where did you first hear about EZG Manufacturing? (Check One)

Masonry Magazine Website Newsletter Referral Masonry Construction
 Other: _____

2. What influenced you to buy? Quality Easy to use Price Other

3. Who is your Sales Representative?

4. Are you satisfied with the customer service you received? Yes No

Explain: _____

5. What other EZG Manufacturing products do you own?

6. Would you like to be featured in our Newsletter? Yes No

If yes, where can we reach you and what is the best time? _____

Comments: _____

