

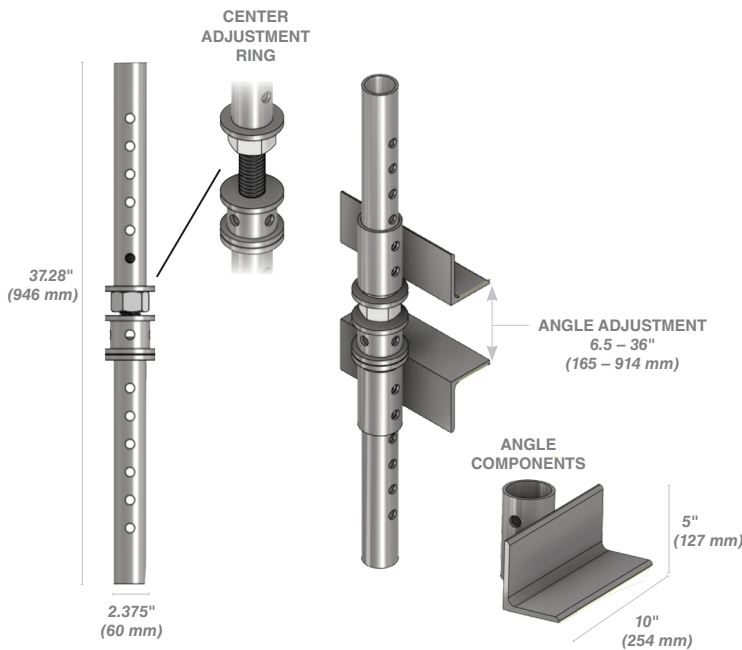
Hog Support[®]

Essential Support for Masonry Restoration and Repair

The Hog Support provides reliable support for masonry units during restoration, renovation, or repair projects. Designed to address issues like improperly installed wall ties, flashing, or masonry damage, this tool ensures stability and precision for professional repairs.

Key Advantages:

- **Versatile and Adjustable:** Three components (top angle, bottom angle, and center adjustment ring with locking pins) allow a customizable span up to to 36 inches, accommodating various repair needs.
- **Durable Design:** Pressure ledges on the top angle and bottom angle, each with a 4-inch depth, provide secure and stable support.
- **Precision Support:** Built to handle structural challenges with reliability and ease, ensuring professional results every time.



Component Specifications

MODEL	HL-A-10
Span	6.5 – 36" (165-914 mm)
Weight	40 lbs (18 kg)
Weight Load	932 lbs (423 kg)



1-800-417-9272 / ezgmfg.com / sales@ezgmfg.com
1833 N. Riverview Road, Malta, Ohio 43758

EZG Manufacturing is a division of EZ Grout Corporation. All EZG Manufacturing products are backed by our **two-year warranty** on parts unless otherwise stated and are available for order direct through our website.

