



Before using this equipment,
study and understand entire
Owner's Manual.

Serial Number _____

38 Special Pump Parts Manual

(Includes)

**HP38 Trailer Mounted
HP38SM Skid Mounted
HP38SS Skid Steer**



**38 Special Pump
EZG Manufacturing
1-800-417-9272**

**EZG Manufacturing
405 Watertown Road
Waterford, Ohio 45786**

**(740) 749-3512 or 1-800-417-9272
Fax (740) 962-2037 www.ezgmfg.com**

TABLE OF CONTENTS

Routine Maintenance Items.....	2
General Information	2
About This Manual	2
HP38BUAssembly.....	3
Auger Configuration.....	6
Auger Configuration.....	7
HP38SSAssembly.....	8
HP38SS Hydraulic Assembly.....	11
HP38SM Assembly	12
Engine	17
HP38SM/HP38HydraulicAssembly	19
HP38 Assembly	22
Notes	25

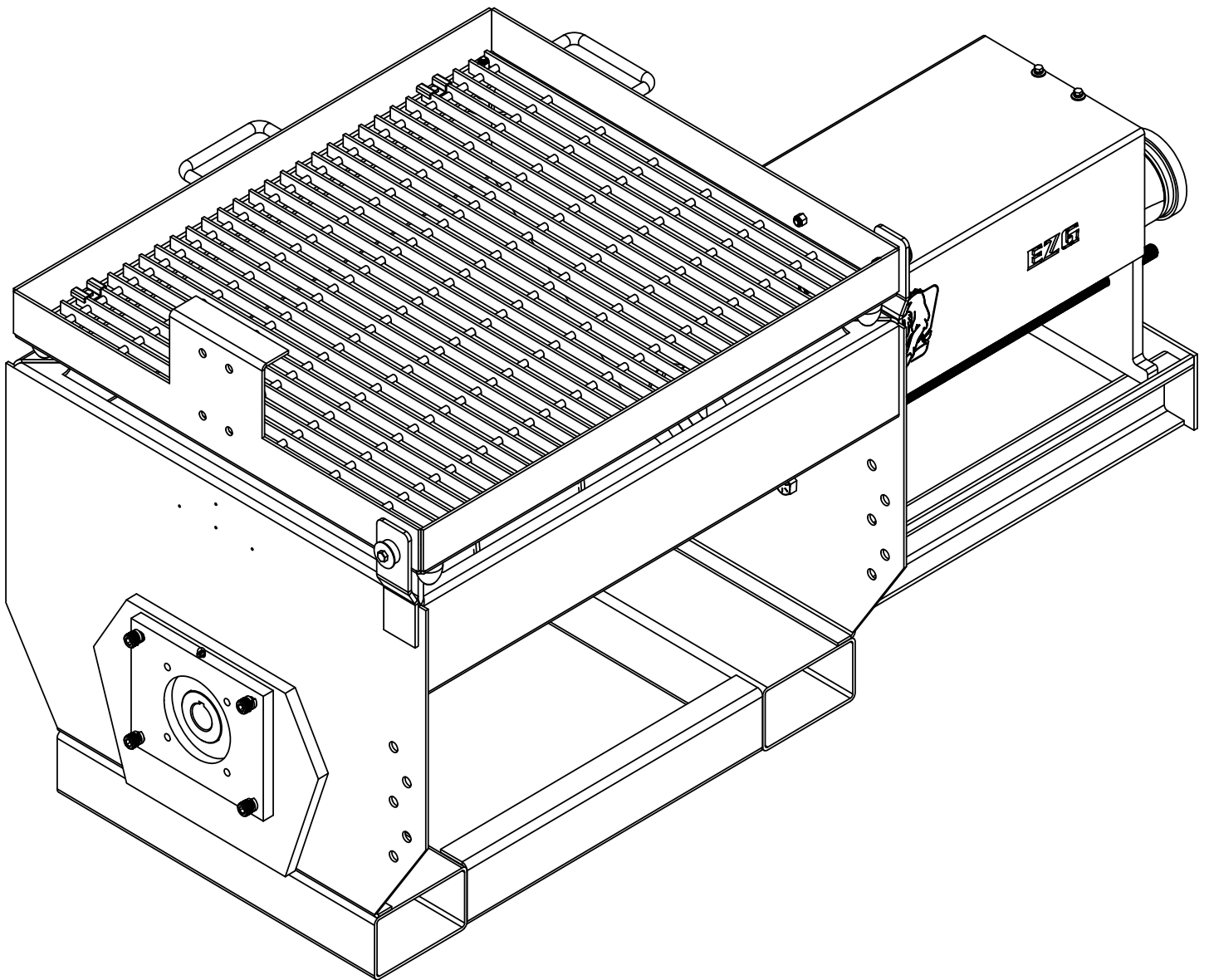
Routine Maintenance Items for HP-38 / HP-38SM		
Part Number	Description	Qty
14-2055	Fuel Filter	1
14-2056	Primary Air Filter Element	1
14-2057	Pre-cleaner Air Filter Element	1
14-2058	Oil Filter	1
14-2059	Spark Plug	2
20-1020	20W-50 Oil Full Synthetic	2 qts (1.9L)

GENERAL INFORMATION

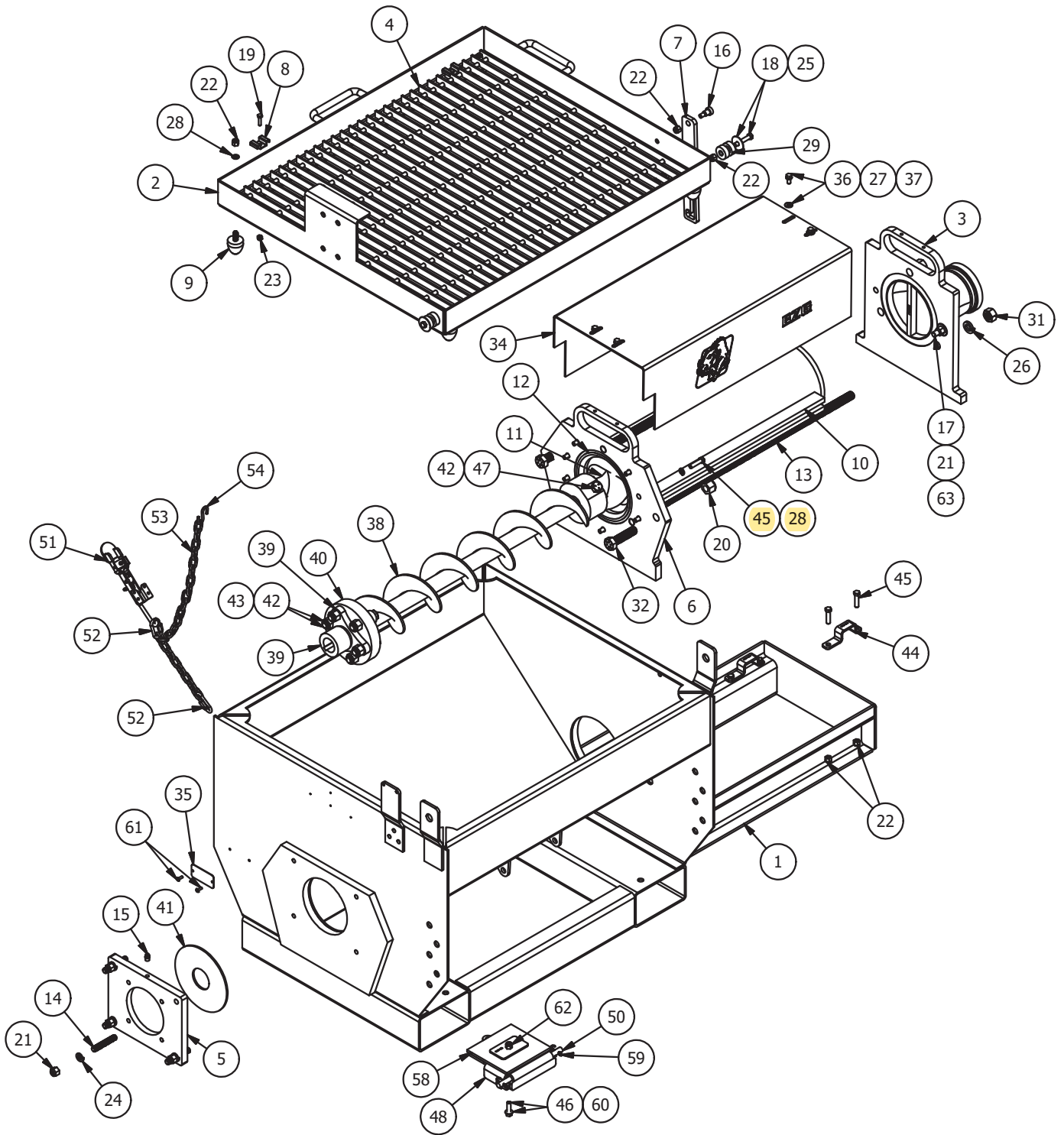
Illustrations throughout this manual are representative and may show details or components that may not be the same as your machine. Continuing machine design improvements may cause changes not included in this manual. The information in this document is subject to change without any prior notice.

ABOUT THIS MANUAL

This manual is provided with the HP 38 Special Trailer, Skid Mount, and Skid Steer units to inform the equipment owner/operator how to visually locate various components and their part identification number for the purpose of ordering parts that may need replaced due to regular maintenance, wear, or damage. This manual is not intended for the purpose of operating, safety, warranty, or registration of the HP 38 Special units. If you do not understand any items in this manual, please contact the dealer where this product was purchased or the manufacturer at the number listed throughout this manual. If you have any suggestions about how to make this manual easier to understand, contact the manufacturer. Keep this manual available for reference wherever this piece of equipment is being used and make it available to any operators.



HP38BU BASE UNIT



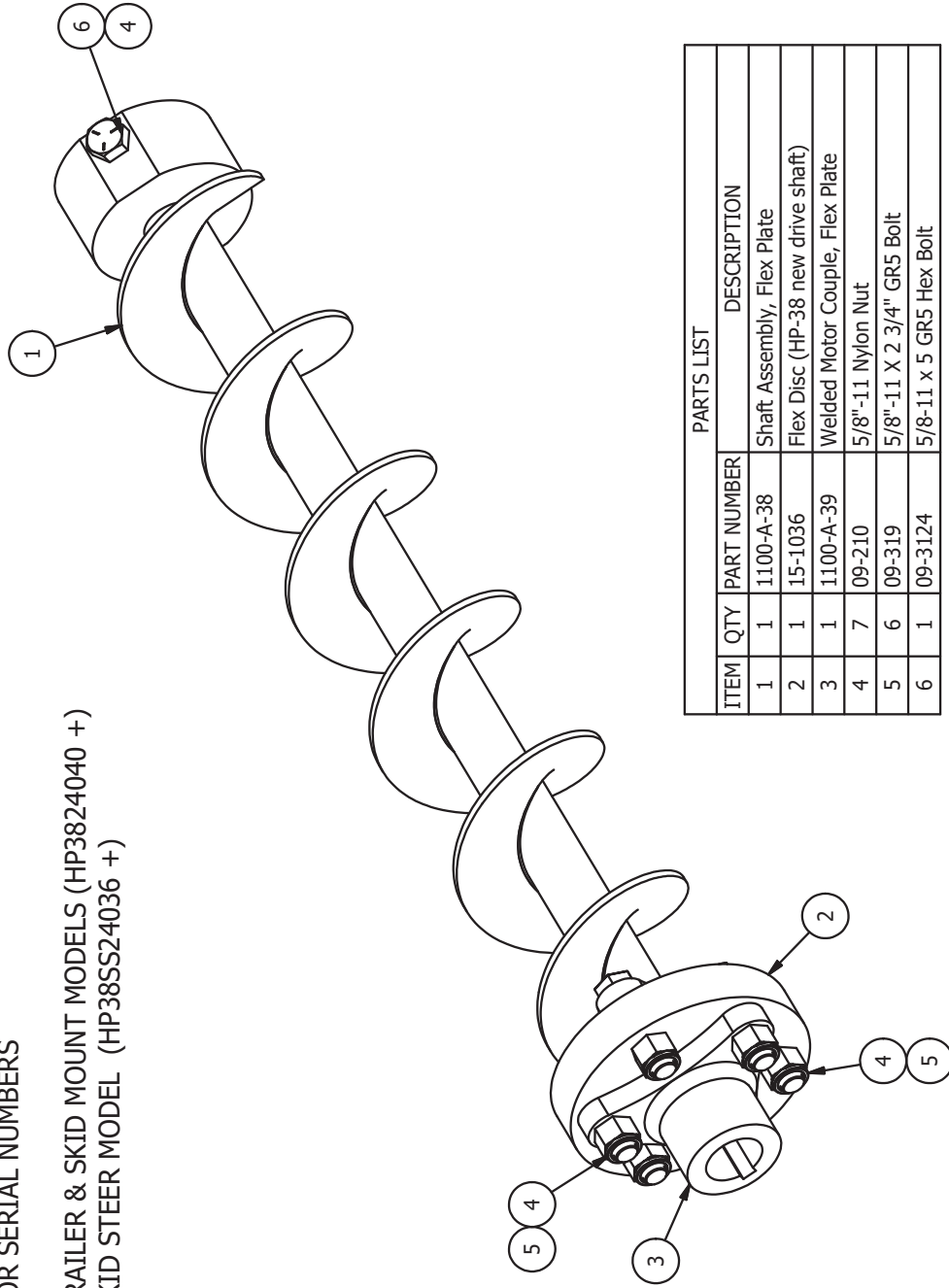
HP38BU ASSEMBLY

PARTS LIST				PARTS LIST			
ITEM	QTY	PART NUMBER	DESCRIPTION	ITEM	QTY	PART NUMBER	DESCRIPTION
1	1	1100-A-01	Welded Base Assembly	32	2	92620A847	3/4-10 x 3 Fully Threaded Hex Head(HP38)
2	1	1100-A-03	Grate Frame Welded Assembly	33	1	1100-048	HP38SS - Valve Mount Plate
3	1	1100-A-04	HP38-Discharge Nozzle Welded Assembly	34	1	1100-016	HP38 - Stator Cover
4	1	1100-502	HP38 - Hopper Grate	35	1	20-126	Blank Metal Plates
5	1	1100-015	HP38 - Hydraulic Motor Mount Plate	36	4	09-341	5/16"-18 x 3/4" GR5 Bolt
6	1	1100-013	Hopper Outlet Plate	37	4	09-101	5/16" Lock Washer
7	1	1100-010	HP38 - Grate Prop Bar	38	1	1100-A-38	Shaft Assembly, Flex Plate
8	4	20-1015	Bar Grating Clip (HP-38)	39	1	1100-A-39	Welded Motor Couple, Flex Plate
9	4	20-1011	3/8-16 x 1 1/2 OD Threaded Stud Bumper	40	1	15-1036	Flex Disc (HP-38 new drive shaft)
10	1	20-208	Stator 2L8 SPD	41	1	13-1007	HP38 Rear Seal 2-1/4"ID-Flexplate Couple
11	1	20-207	Rotor 2L8	42	7	09-210	5/8"-11 Nylon Nut
12	1	13-189	1/4 Width 442 Dash Number O-Ring	43	6	09-319	5/8"-11 X 2 3/4" GR5 Bolt
13	3	09-3231	3/4-10 All Thread x 3'	44	2	1100-052	1100-013, STRAP
14	4	09-3229	1/2-13 x 3 All Thread	45	13	09-308	3/8"-16 x 2" GR5 Bolt
15	1	09-600	1/8" NPT 90 Degree Grease Fitting	46	5	09-105	5/16" Flat Washer
16	2	09-334	1/2" x 1/2" x 3/8" Thread Shoulder Screw	47	1	09-3124	5/8-11 x 5 GR5 Hex Bolt
17	1	09-328	1/2" -13 x 2" GR8 Bolt	48	1	1100-080	Clean Out Door
18	2	09-312	3/8"-16 x 2" GR5 Bolt	49	1	1100-081	Clean Out Door, Clamp Plate
19	4	09-301	1/4"-20 x 1" GR5 All Thread Bolt	50	1	1100-521	Clean Out Door, Spindle Rod
20	2	09-236	3/4" Nylon Nut	51	1	20-1039	3/4 x 9 7/16 Toggle Clamp
21	5	09-208	1/2" -13 Nylon Nut	52	2	09-703	Connecting Link
22	12	09-204	3/8"-16 Nylon Nut	53	2	20-111	3/16" Plated Proof Coil Chain
23	4	09-200	1/4"-20 Nylon Nut	54	1	09-807	3/16" S-Hook
24	4	91102A770	1/2" Lockwasher	55	5	92949A244	10-24 x 5/8 Button Head Screw SS
25	2	09-114	3/8" x 1 1/2" Fender Washer	56	10	09-125	#10 Flat Washer
26	3	09-113	3/4" Lock Washer	57	5	09-115	#10 Lockwasher
27	4	09-104	1/4" Flat Washer	58	1	13-1020	Clean Out Door, Seal
28	13	09-102	3/8" Lock Washer	59	2	09-337	3/16" x 1 1/2" Cotter Pin
29	2	02-803	2-Piece Vibration Mount Neoprene	60	1	09-310	3/8-16 x 1 1/4" GR5 Bolt
30	1	01-775	Wing Nut Expansion Plug for 3" Pipe	61	2	20-105	Rivets for Name Plates & Hood Straps
31	3	09-227	3/4"-10 GR8 Nut	62	1	09-204	3/8"-16 Nylon Nut
				63	1	92141A033	1/2 Flat Washer

HP38BU ASSEMBLY PARTS LIST

**AUGER CONFIGURATION
FOR SERIAL NUMBERS**

TRAILER & SKID MOUNT MODELS (HP3824040 +)
SKID STEER MODEL (HP38SS24036 +)

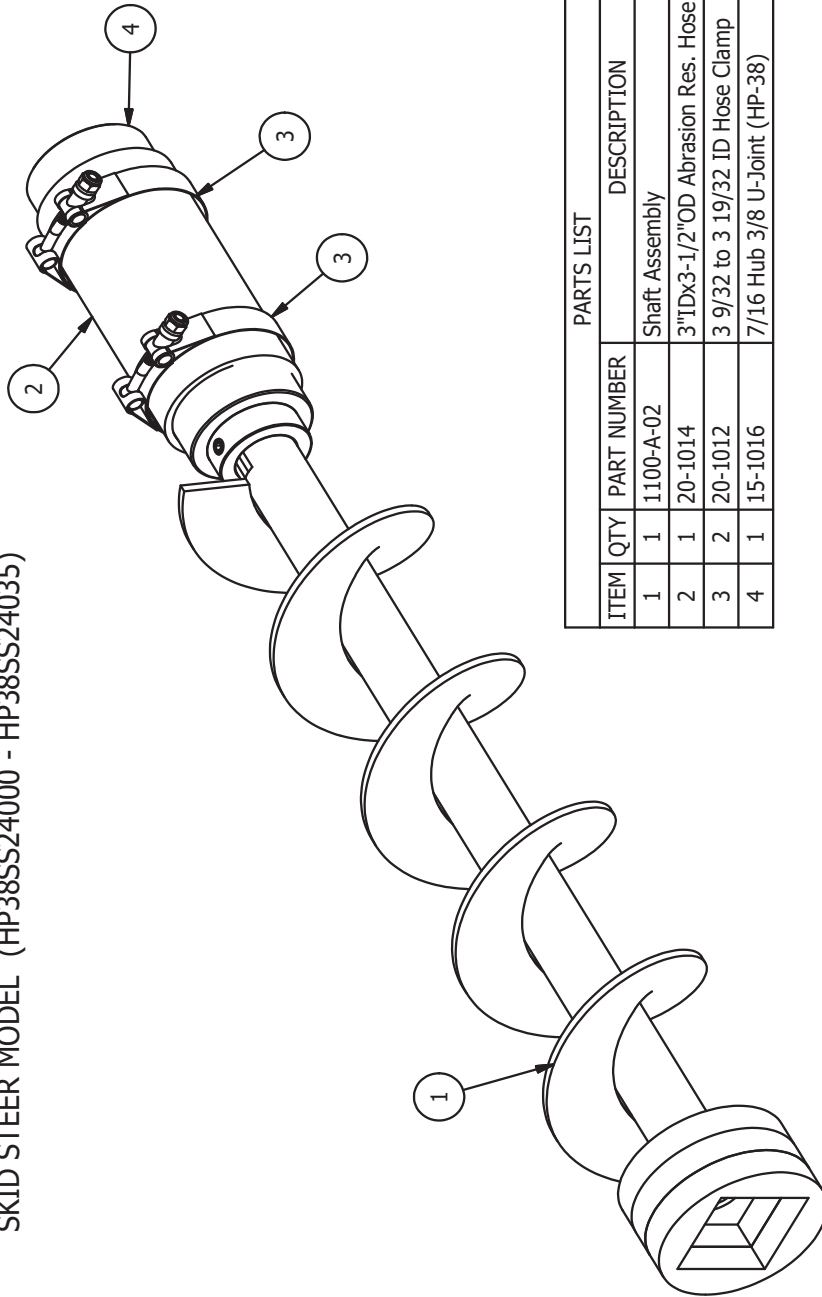


PARTS LIST			DESCRIPTION
ITEM	QTY	PART NUMBER	
1	1	1100-A-38	Shaft Assembly, Flex Plate
2	1	15-1036	Flex Disc (HP-38 new drive shaft)
3	1	1100-A-39	Welded Motor Couple, Flex Plate
4	7	09-210	5/8"-11 Nylon Nut
5	6	09-319	5/8"-11 X 2 3/4" GR5 Bolt
6	1	09-3124	5/8"-11 x 5 GR5 Hex Bolt

AUGER CONFIGURATION

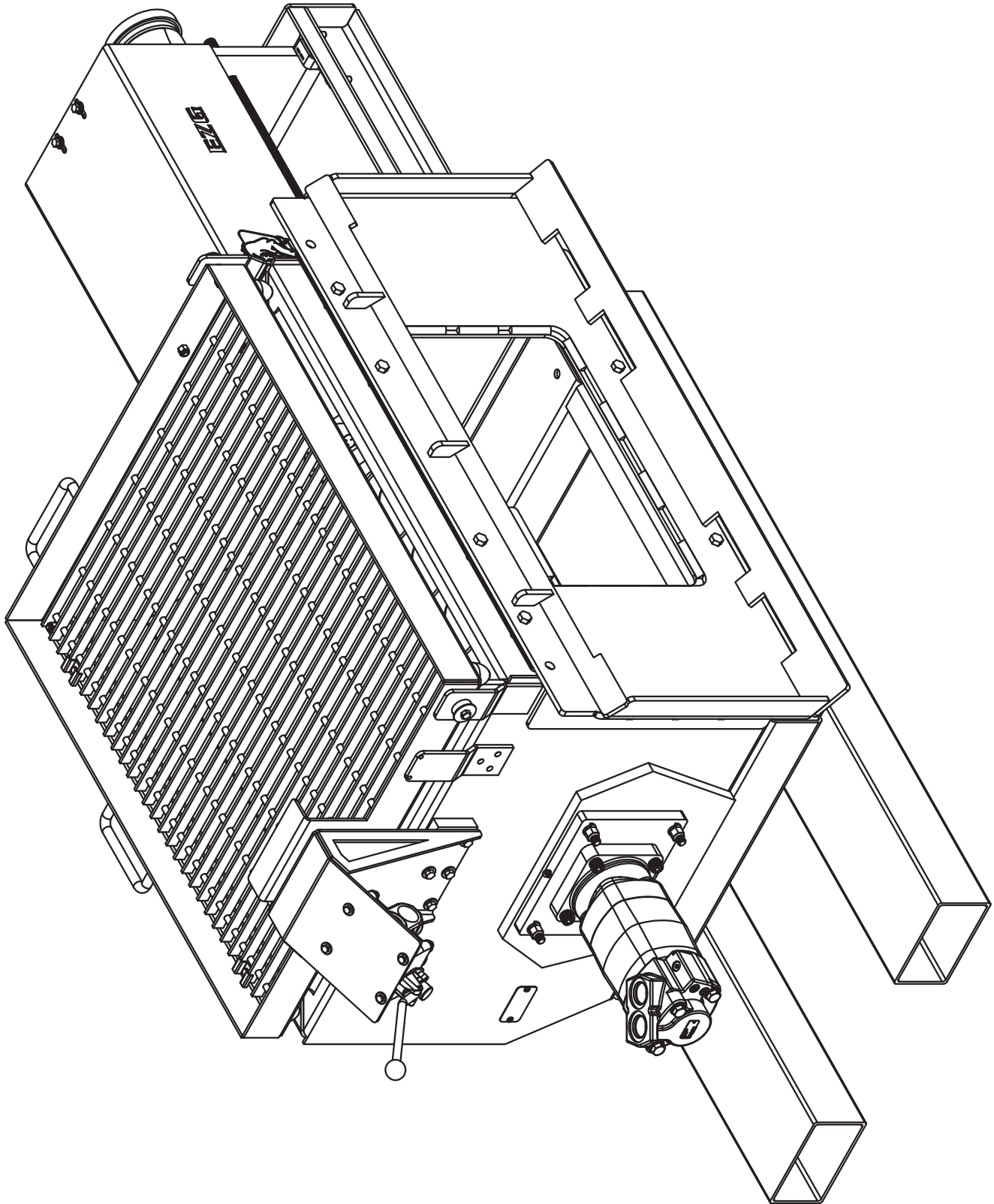
**AUGER CONFIGURATION
FOR SERIAL NUMBERS**

TRAILER & SKID MOUNT MODELS (HP3824000 - HP3824039)
SKID STEER MODEL (HP38SS24000 - HP38SS24035)



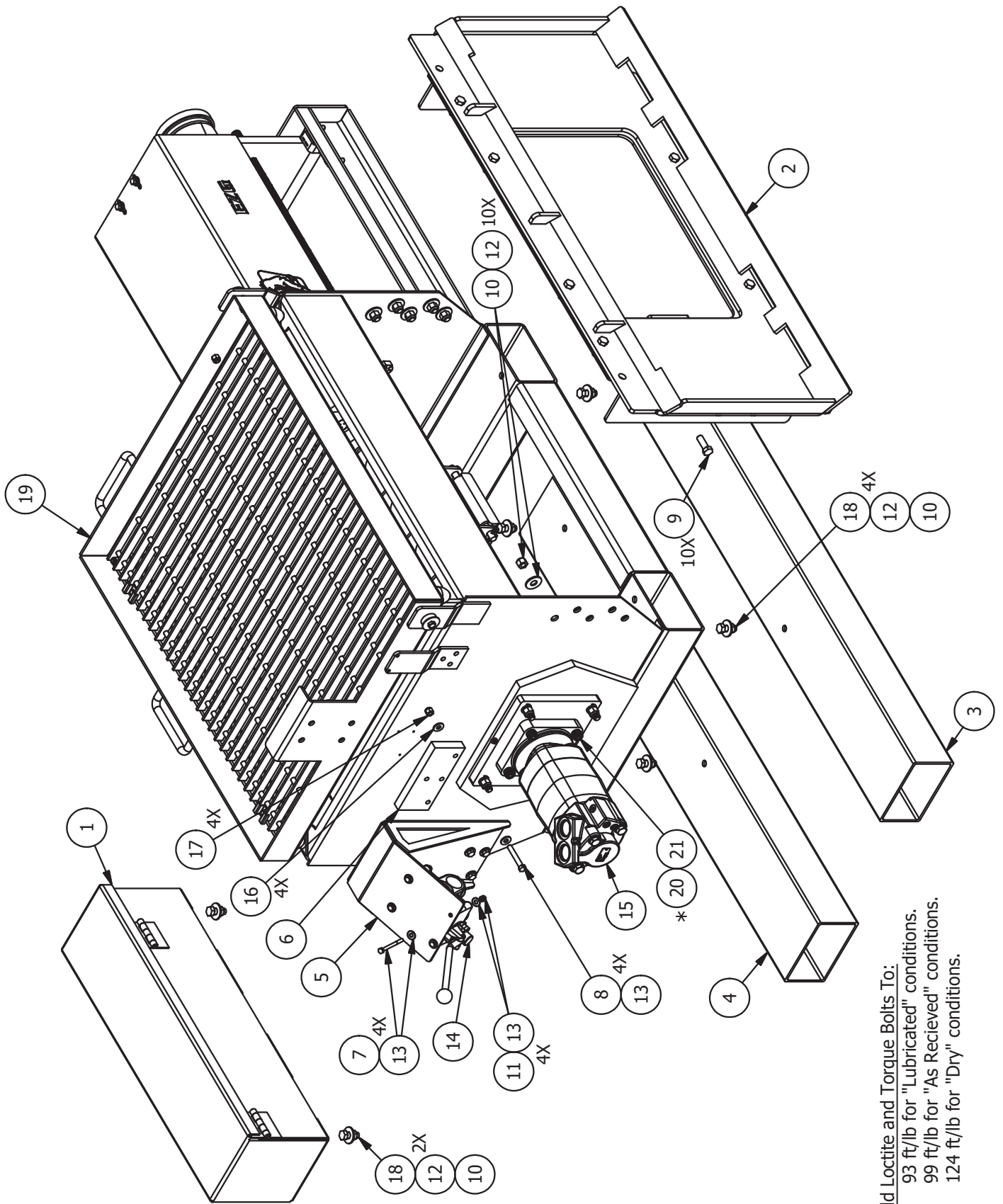
ITEM		PARTS LIST	
QTY	PART NUMBER	DESCRIPTION	
1	1100-A-02	Shaft Assembly	
2	20-1014	3"IDx3-1/2"OD Abrasion Res. Hose (HP-38)	
3	20-1012	3 9/32 to 3 19/32 ID Hose Clamp	
4	15-1016	7/16 Hub 3/8 U-Joint (HP-38)	

AUGER CONFIGURATION



HP38SS SKID STEER

(hydraulic lines not shown for clarity)



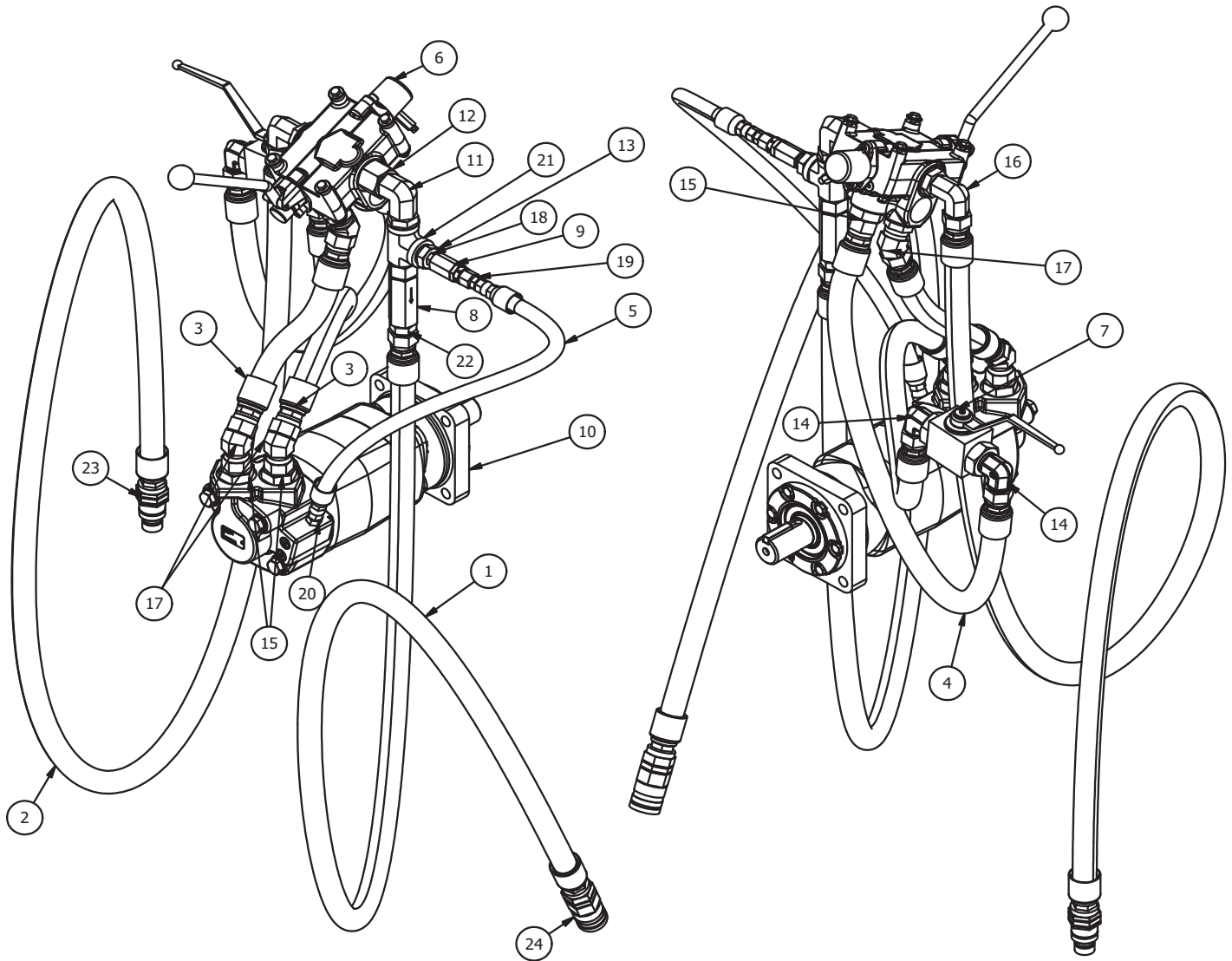
- * Add Loctite and Torque Bolts To:
- 93 ft/lb for "Lubricated" conditions.
 - 99 ft/lb for "As Received" conditions.
 - 124 ft/lb for "Dry" conditions.

HP38SS ASSEMBLY

PARTS LIST

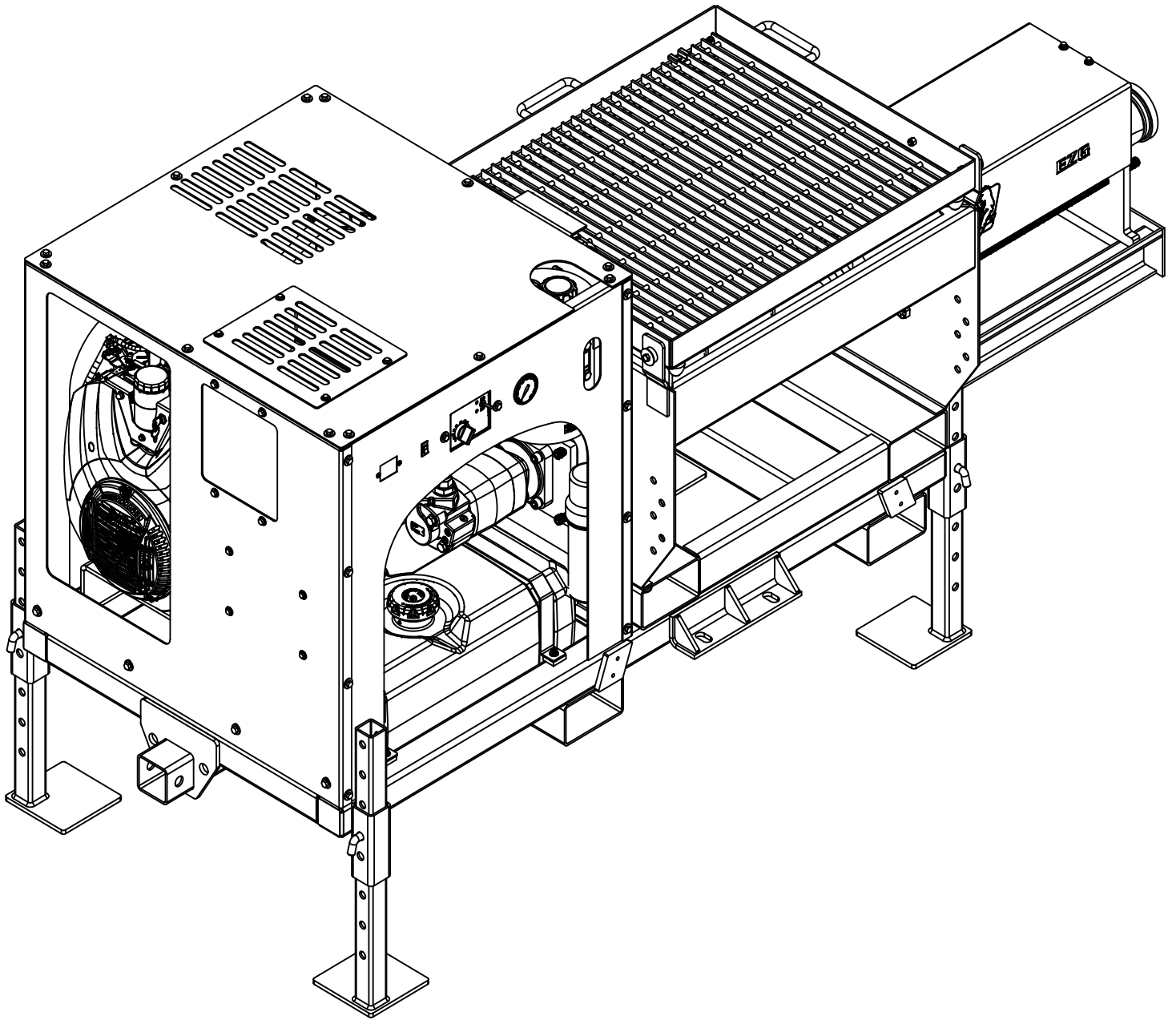
ITEM	QTY	PART NUMBER	DESCRIPTION
1	1	1100-A-34	HP38 - Tool Box Welded Assembly
2	1	1100-A-31	Weldment, Attach Plate
3	1	1100-510	Bolt-on Fork Pocket
4	1	1100-511	Bolt-on Fork Pocket
5	1	1100-017	Valve Mount Plate
6	1	1100-007	Valve Mount Spacer Plate
7	4	09-388	1/4"-20 x 3" GR8 Bolt)
8	4	09-335	3/8-16 x 2 1/2" GR8 Bolt (MH)
9	10	09-317	1/2"-13 x 1-1/2" in. GR5 Bolt
10	16	09-208	1/2" -13 Nylon Nut
11	4	09-200	1/4"-20 Nylon Nut
12	16	09-107	1/2" Flat Washer
13	8	09-104	1/4" Flat Washer
14	1	02-6088	Proportional Manual Hydr Valve (HP-38)
15	1	02-4008	BMK6-1000 Hydraulic Motor
16	8	09-105	5/16" Flat Washer
17	4	09-204	3/8"-16 Nylon Nut
18	6	09-316	1/2"-13 x 1 1/4" GR5 Bolt
19	1	02-2106	HP38 Base Unit
20	4	09-122	1/2" Wedge Lock Washer
21	4	09-3230	1/2"-13 x 1-3/4" SHCS

HP38SS ASSEMBLY

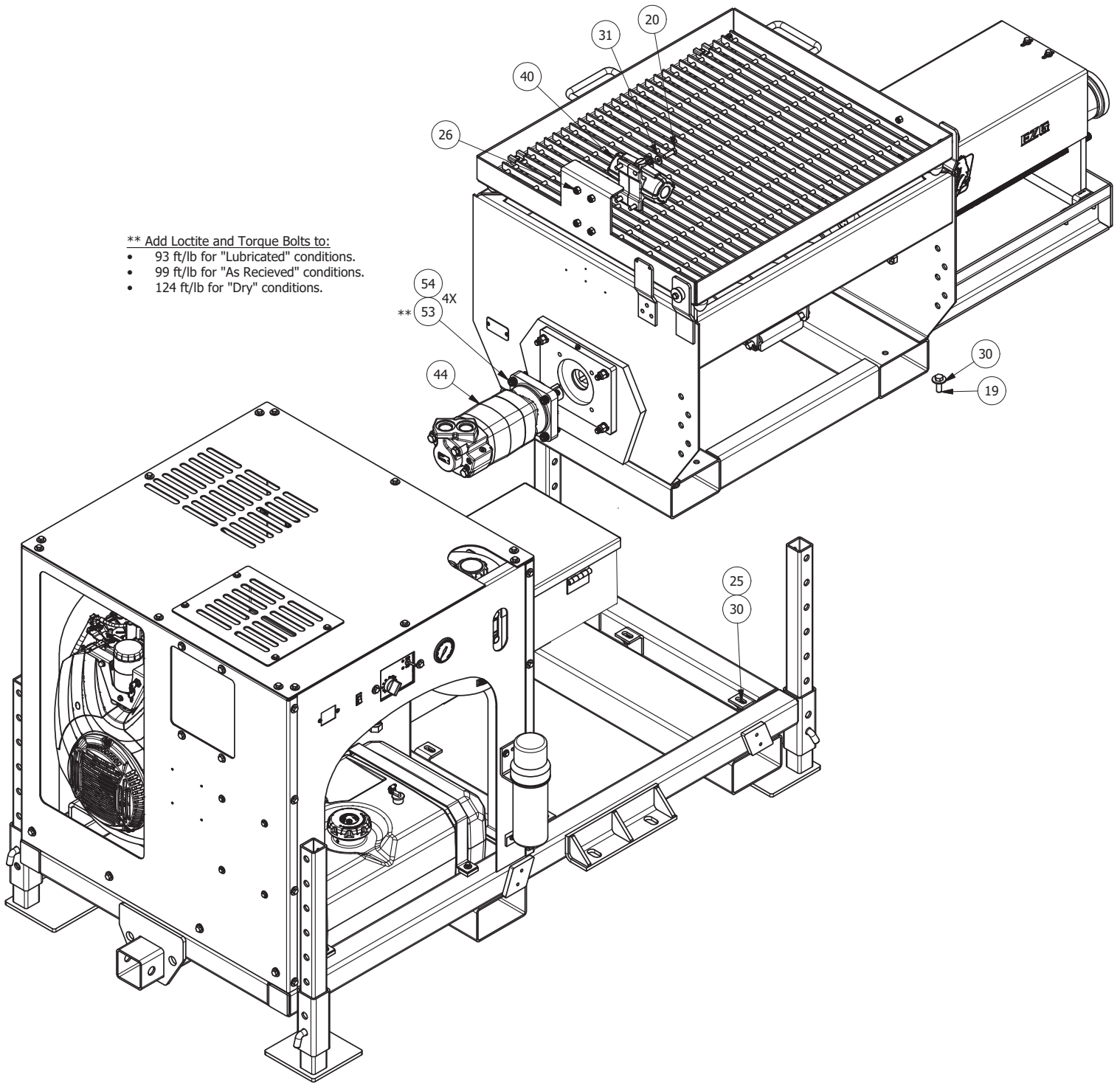


PARTS LIST				PARTS LIST			
ITEM	QTY	PART NUMBER	DESCRIPTION	ITEM	QTY	PART NUMBER	DESCRIPTION
1	1	1100-A-22	HP38SS-Hose- Female QD to CV Out	13	1	02-2164	3/4" MP x 1/4" FP - Reducer Bushing - Steel
2	1	1100-A-23	HP38SS-Hose- Male QD to Valve P	14	2	02-2162	3/4" JICM x 3/4" NPTM 90° Adapter
3	2	1100-A-24	HP38SS-Motor"A"-Valve"A"/Motor"B"SOV	15	4	02-2160	3/4 JICM x 1" ORBM Straight Adapter
4	1	1100-A-25	HP38SS-Hose-Valve"B"to Shut Off Valve	16	1	02-2111	3/4" JICM to 1" ORBM 90 Elbow
5	1	1100-A-26	HP38SS-Hose-Motor Case Drain-Check Valve	17	3	02-2099	3/4" JICM x 3/4" JICF Swivel 45° Nut Elbow
6	1	02-6088	Proportional Manual Hydr Valve (HP-38)	18	1	02-2073	1/4 Male Pipe x 1/4 Male Pipe Hex Nipple
7	1	02-6089	3/4" NPT HP Shut Off Valve	19	1	02-2072	3/8 JICM x 1/4 Male Pipe Conn
8	1	02-6090	3/4" NPT Check Valve (HP-38)	20	1	02-2063	3/8" JICM to 1/4" ORBM Straight Adaptor
9	1	02-6091	1/4" NPT Check Valve	21	1	02-291	3/4" NPTM to 3/4" NPTF to 3/4" NPTF Tee
10	1	02-4008	BMK6-1000 Hydraulic Motor	22	1	02-290	2404-12-12 3/4" Pipe to 3/4" JIC
11	1	02-2166	3/4" ORBM x 3/4" NPTM 90° Adapter)	23	1	02-222	1/2" Male Disconnect
12	1	02-2165	1" ORBM x 3/4" ORBF Reducer/Expander	24	1	02-221	1/2" Female Disconnect

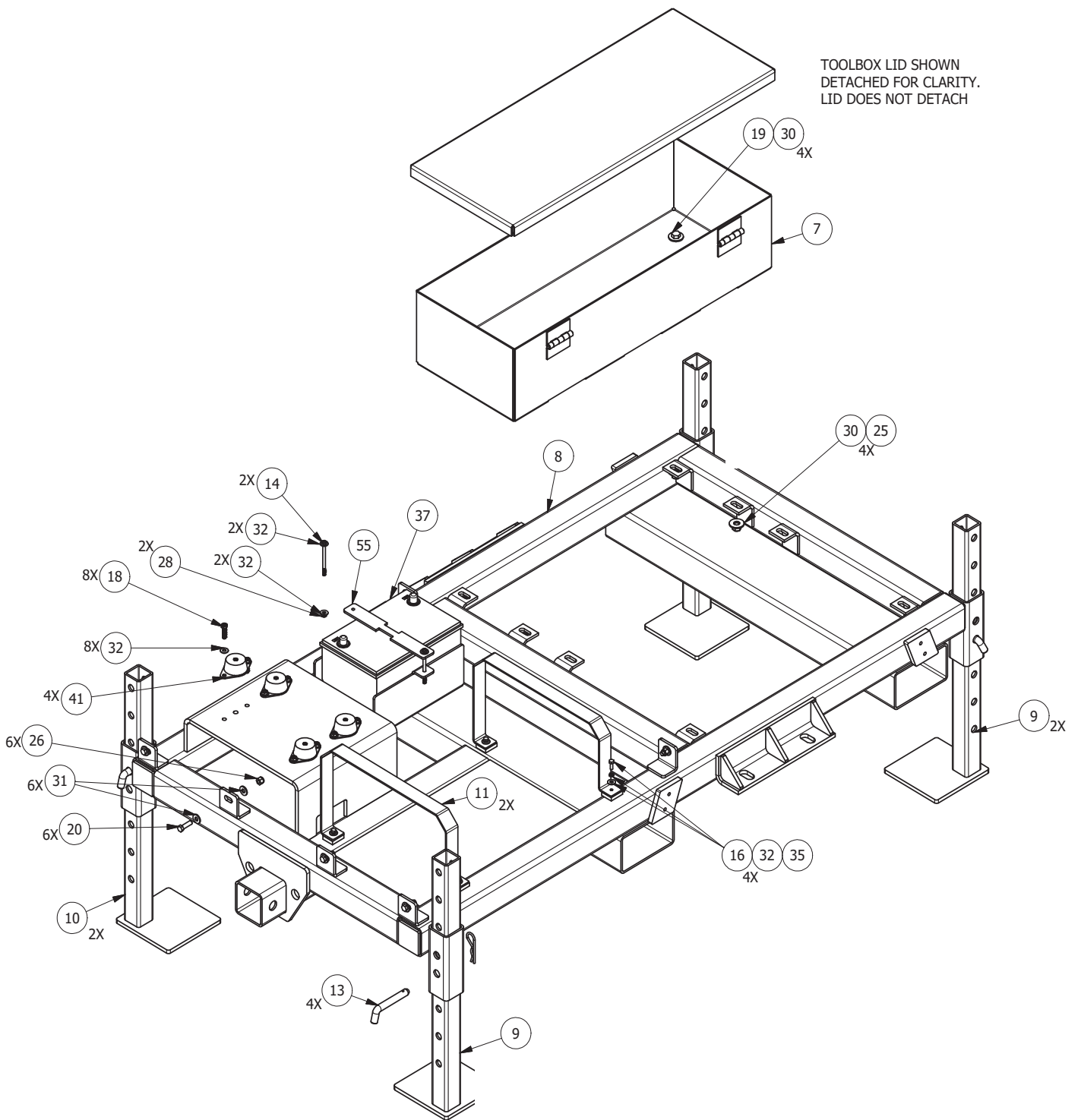
HP38SS HYDRAULIC ASSEMBLY



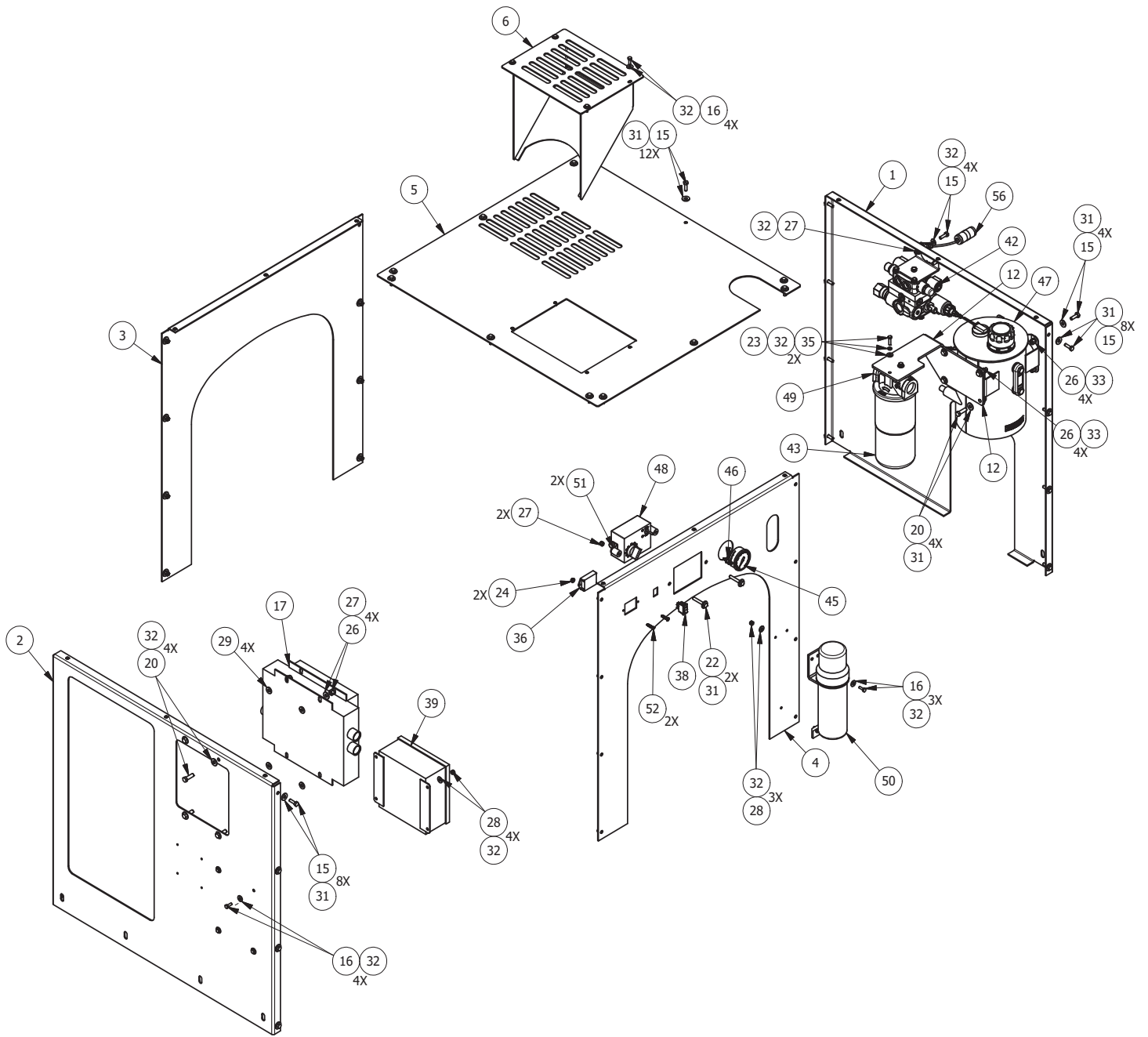
**HP38SM SKID MOUNTED /
HP38 TRAILER MOUNTED
ASSEMBLIES**



HP38SM / HP38 ASSEMBLY



HP38SM / HP38 ASSEMBLY



HP38SM / HP38 ASSEMBLY

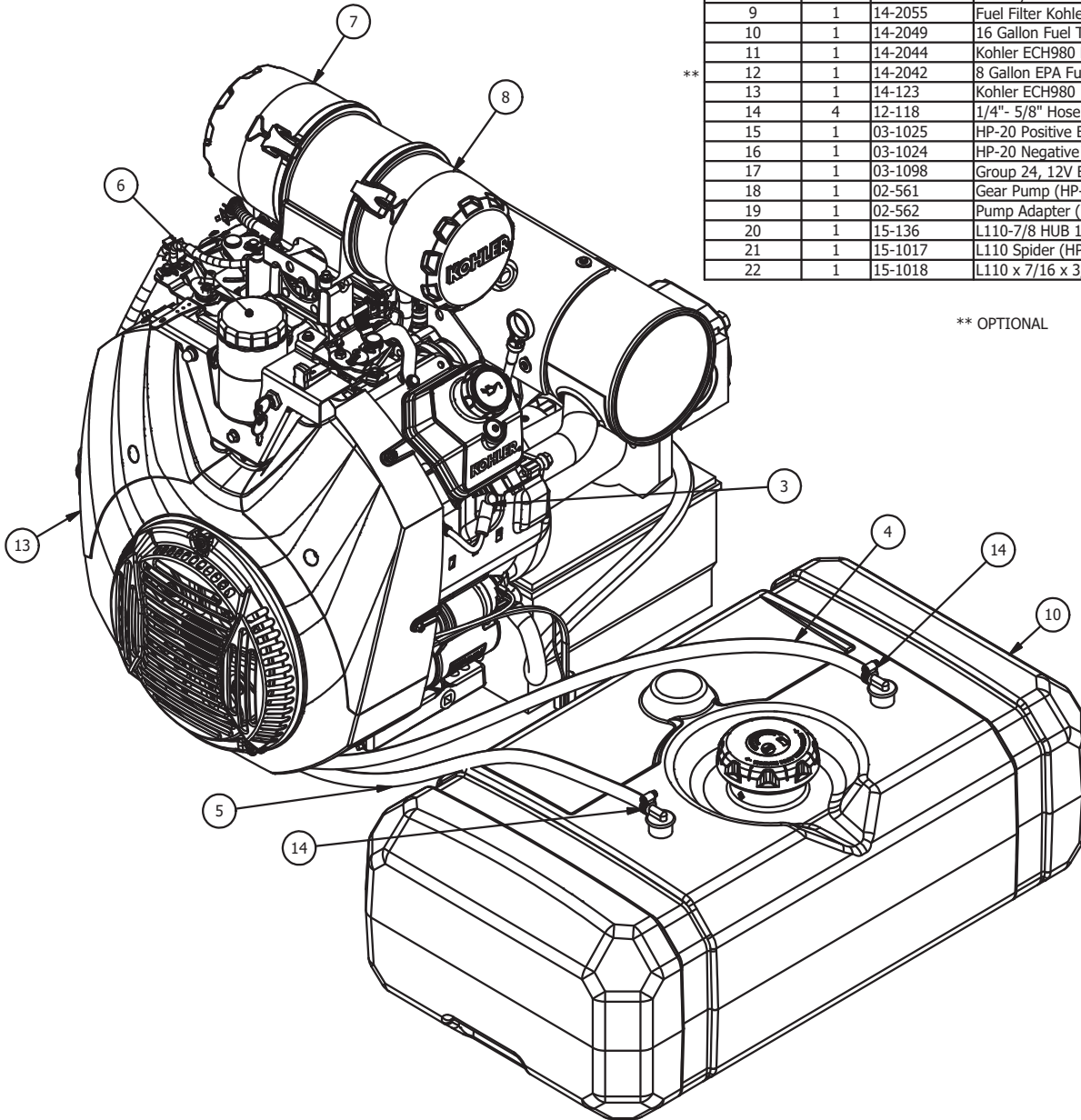
HP38/HP38 ASSEMBLY PARTS LIST

PARTS LIST				PARTS LIST			
ITEM	QTY	PART NUMBER	DESCRIPTION	ITEM	QTY	PART NUMBER	DESCRIPTION
1	1	1100-A-21	Rear Panel w/ Hardware Assembly	29	4	09-172	3/8 Rubber Sealing Washer
2	1	1100-A-20	Front Panel w/ Hardware Assembly	30	16	09-107	1/2" Flat Washer
3	1	1100-A-19	Engine Side Panel w/ Hardware Assembly	31	80	09-105	5/16" Flat Washer
4	1	1100-A-18	Fuel Side Panel w/ Hardware Assembly	32	52	09-104	1/4" Flat Washer
5	1	1100-A-10	HP-38 - Top Panel w/ Hardware Assembly	33	4	09-102	3/8" Lock Washer
6	1	1100-A-09	HP38 - Heat Shroud Welded Assembly	34	6	09-101	5/16" Lock Washer
7	1	1100-A-06	HP38 - Tool Box Welded Assembly	35	6	09-100	1/4" Lock Washer
8	1	1100-A-05	HP38-Trailer Unit Frame Welded Assembly	36	1	03-1103	Tiny Tach (HP-38)
9	2	MH12-A-91	MH12-Back Left/Front Right Leg Assembly	37	1	03-1098	Group 24, 12V Battery Top Post (HP-38)
10	2	MH12-A-90	MH12- Back Right/Front Left Leg Assembly	* 38	1	03-866	Rocker Switch (HP-38)
11	2	1100-038	HP38 - Fuel Tank Strap	39	1	1100-A-27	HP38 Control Box Assembly
12	1	1100-021	HP38 - Filter Mounting Bracket	* 40	1	03-769	Cougar 12V Vibrator (HP38)
13	4	09-418	5/8" Hitch Pin Assembly	41	4	02-806	3/8-16 Vibration Mount
14	2	09-364	1/4-20 x 3 1/2 GR5 Bolt	42	1	02-6085	Electric/Hydr Control Valve (HP-38)
15	36	09-342	5/16-18 x 1" GR5 Bolt	43	1	02-356	Hydraulic Filter (HP-38)
16	15	09-322	1/4-20 x 3/4" GR5 Bolt	44	1	02-4007	BMK6-630 Hydraulic Motor
17	1	03-767	Thermal Transfer 12V Oil Cooler (HP-38)	45	1	02-357	2-1/2 Panel Gauge 0-1000 1/4NPT (HP-38)
18	8	09-3197	5/16-18 x 1 1/4 GR8 Bolt	46	1	02-359	Panel Mount gage 63MM U-Clamp Kit
19	8	09-317	1/2-13 x 1 1/2" GR5 Bolt	47	1	02-358	Hydraulic Oil Tank (HP-38)
20	18	09-310	3/8-16 x 1 1/4" GR5 Bolt	48	1	02-6086	Electronic Control for HP-38
21	4	09-308	3/8-16 x 1 1/2" GR5 Bolt	49	1	02-355	Filter Head (HP-38)
22	2	09-305	5/16-18 x 2" GR5 Bolt	50	1	67670	Manual Canister 12"
23	2	09-301	1/4-20 x 1" GR5 All Thread Bolt	51	2	92825A205	LDPE Unthrded Spcr, 3/4" OD x 1" Lg
24	2	09-276	10-32 Nylon Flange Locknut	52	2	90604A272	10-32 x 1 Pan Head Screw SS
25	8	09-208	1/2"-13 Nylon Nut	53	4	09-3230	1/2"-13 x 1-3/4" SHCS
26	20	09-204	3/8"-16 Nylon Nut	54	4	09-122	1/2" Wedge Lock Washer
27	32	09-202	5/16"-18 Nylon Nut	55	1	1100-036	Battery Strap
28	9	09-200	1/4"-20 Nylon Nut	56	1	1000-A-21	Safety Grate Proximity Switch Harness

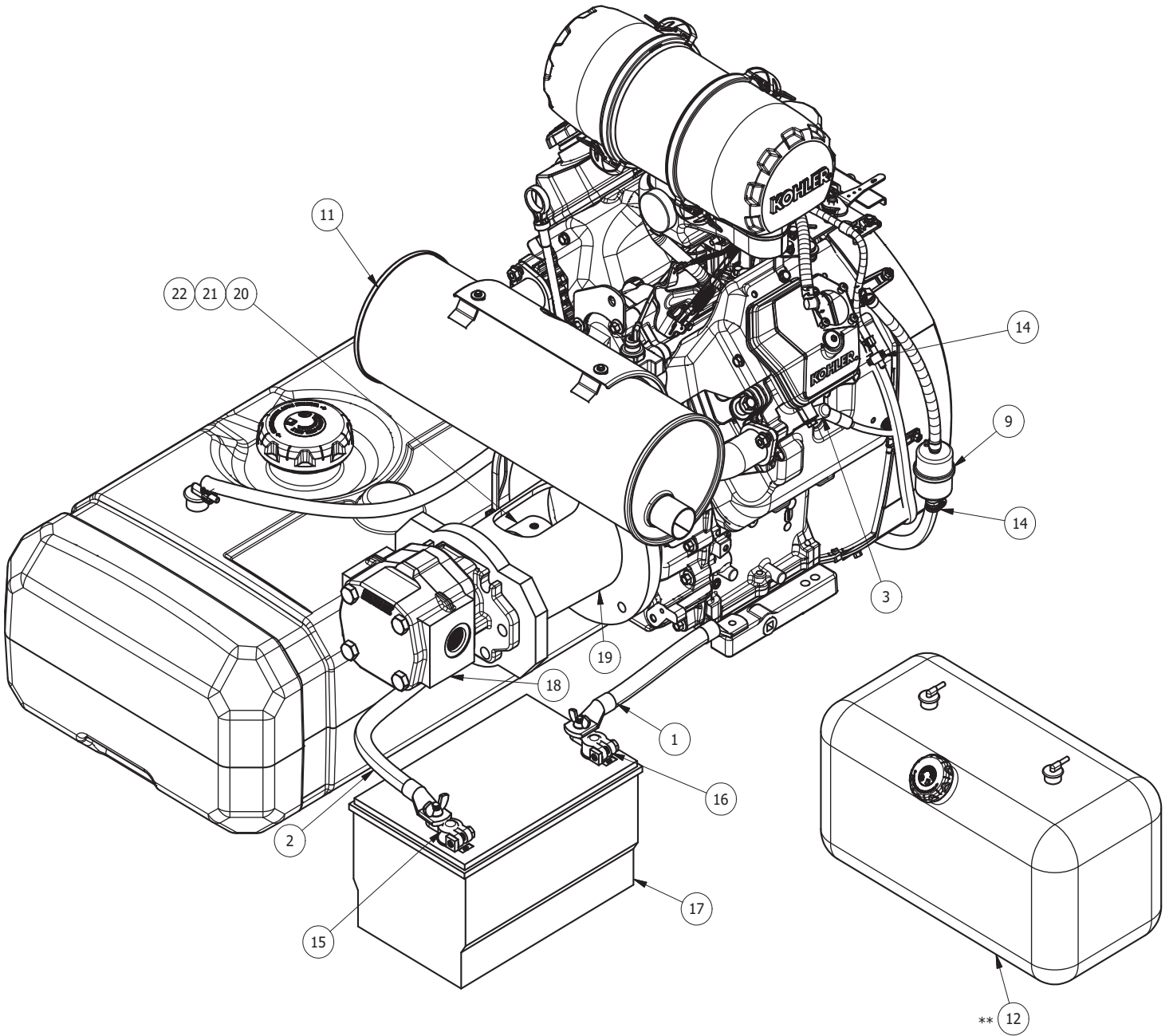
* Items Shown Are Optional

PARTS LIST			
ITEM	QTY	PART NUMBER	DESCRIPTION
1	1	1100-A-36	Assembly, HP38 Negative Battery Cable
2	1	1100-A-35	Assembly, HP38 Positive Battery Cable
3	2	14-2059	Spark Plug (CH980)
4	1	1100-511	3/16 Fuel Injection Hose 48"
5	1	1100-510	1/4 ID Low Pressure Fuel Hose 48"
6	1	14-2058	Oil Filter Kohler (CH980)
7	1	14-2057	Pre-Cleaner Filter Kohler (CH980)
8	1	14-2056	Primary Air Filter Element Kohler (CH980)
9	1	14-2055	Fuel Filter Kohler (CH980-3000)
10	1	14-2049	16 Gallon Fuel Tank (HP-38)
11	1	14-2044	Kohler ECH980 Muffler
** 12	1	14-2042	8 Gallon EPA Fuel Tank Assembly
13	1	14-123	Kohler ECH980
14	4	12-118	1/4"- 5/8" Hose Clamp
15	1	03-1025	HP-20 Positive Battery Lug
16	1	03-1024	HP-20 Negative Battery Lug
17	1	03-1098	Group 24, 12V Battery Top Post (HP-38)
18	1	02-561	Gear Pump (HP-38)
19	1	02-562	Pump Adapter (HP-38)
20	1	15-136	L110-7/8 HUB 1/4 Key Lovejoy Coupling
21	1	15-1017	L110 Spider (HP-38)
22	1	15-1018	L110 x 7/16 x 3/8 Coupling (HP-38)

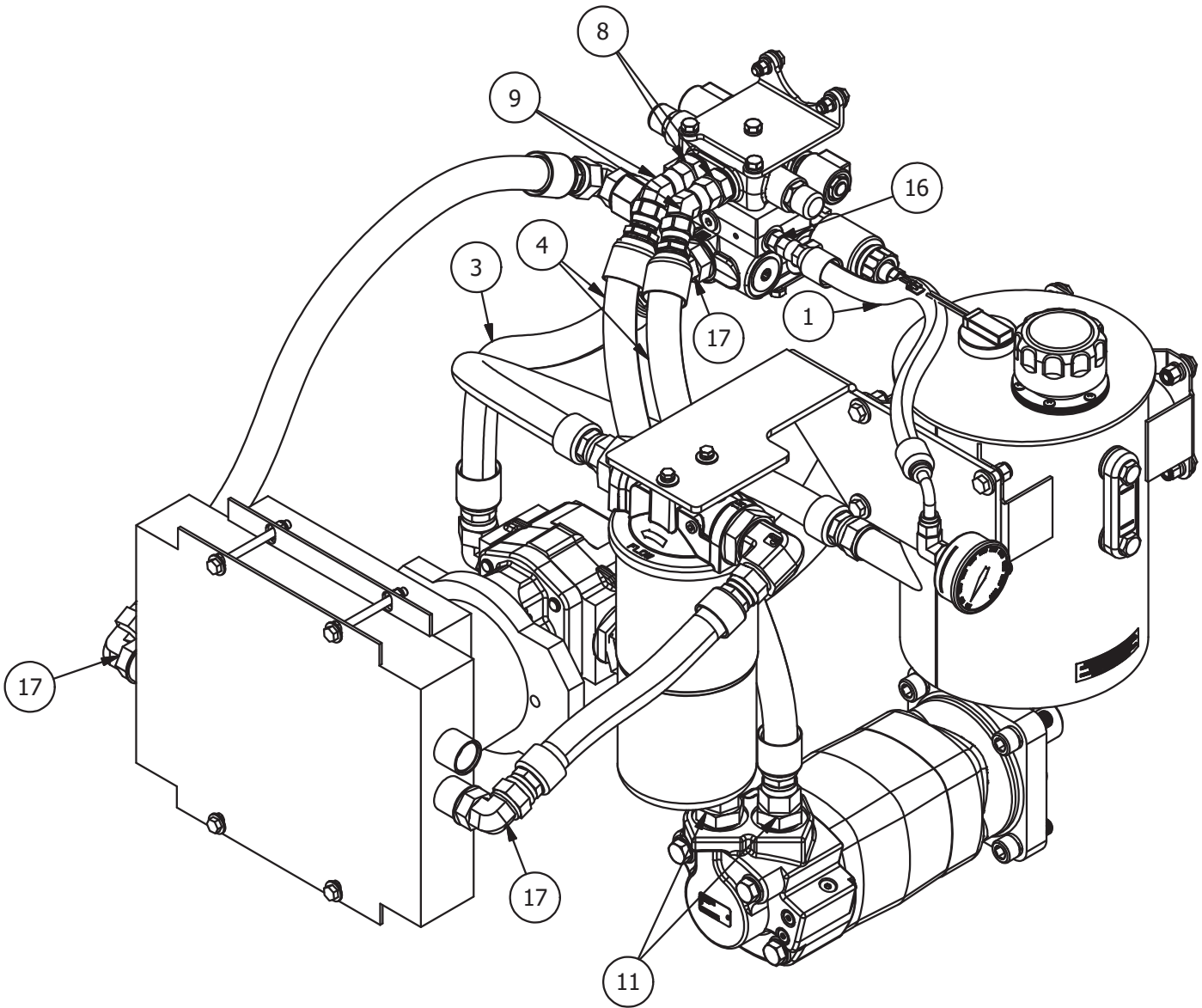
** OPTIONAL



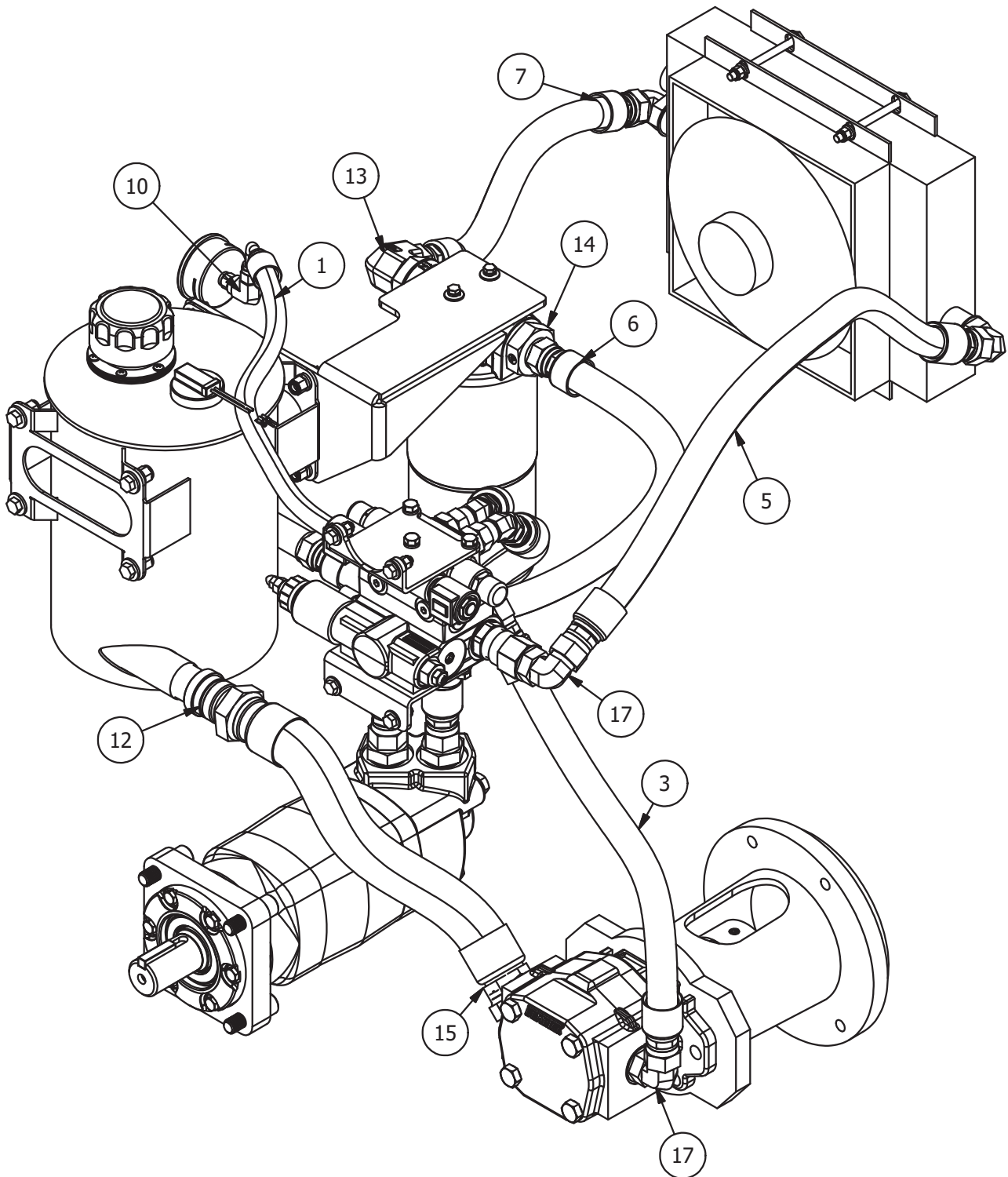
KOHLER ECH980 ENGINE



KOHLER ECH980 ENGINE



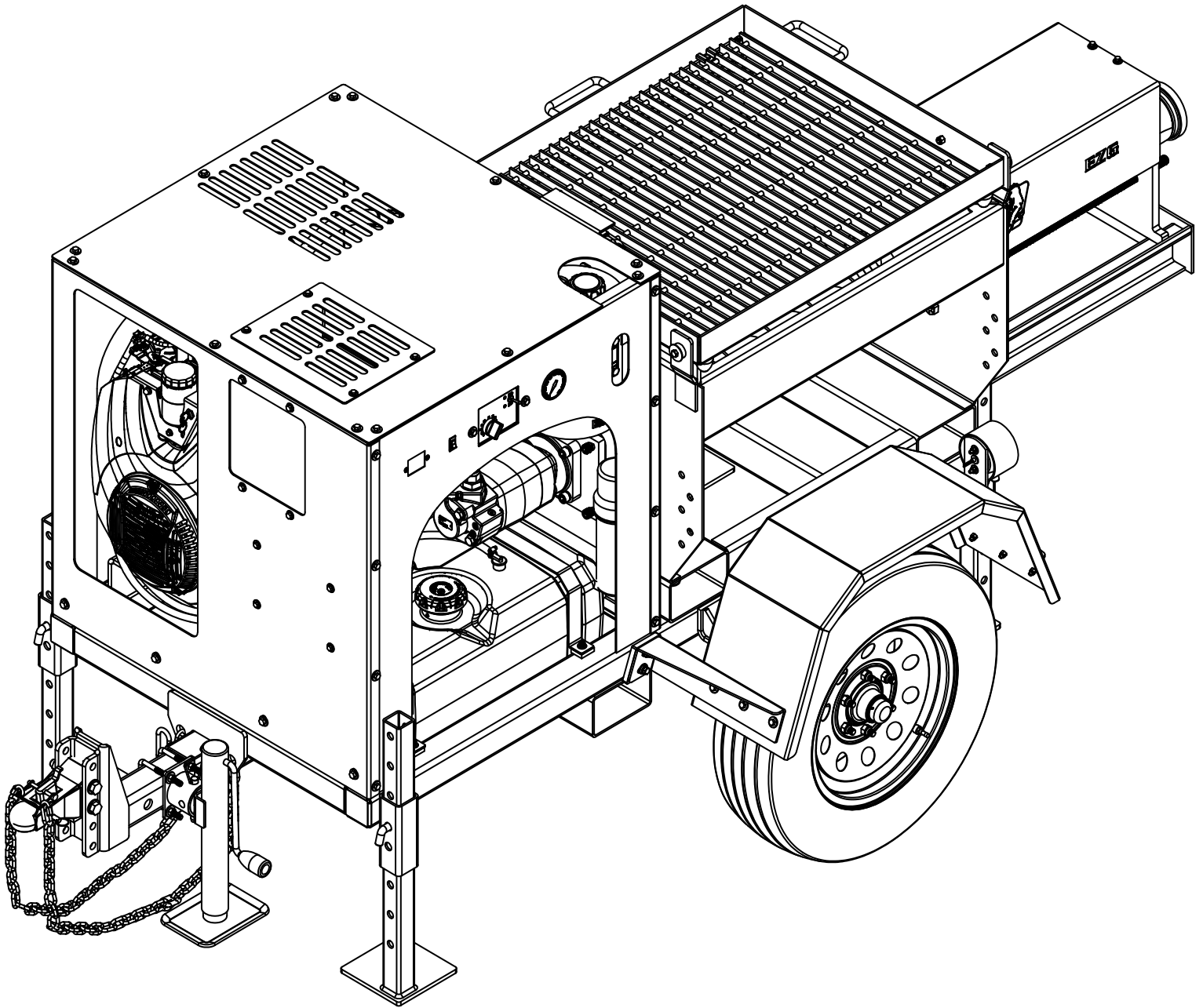
HP38SM / HP38 HYDRAULIC ASSEMBLY



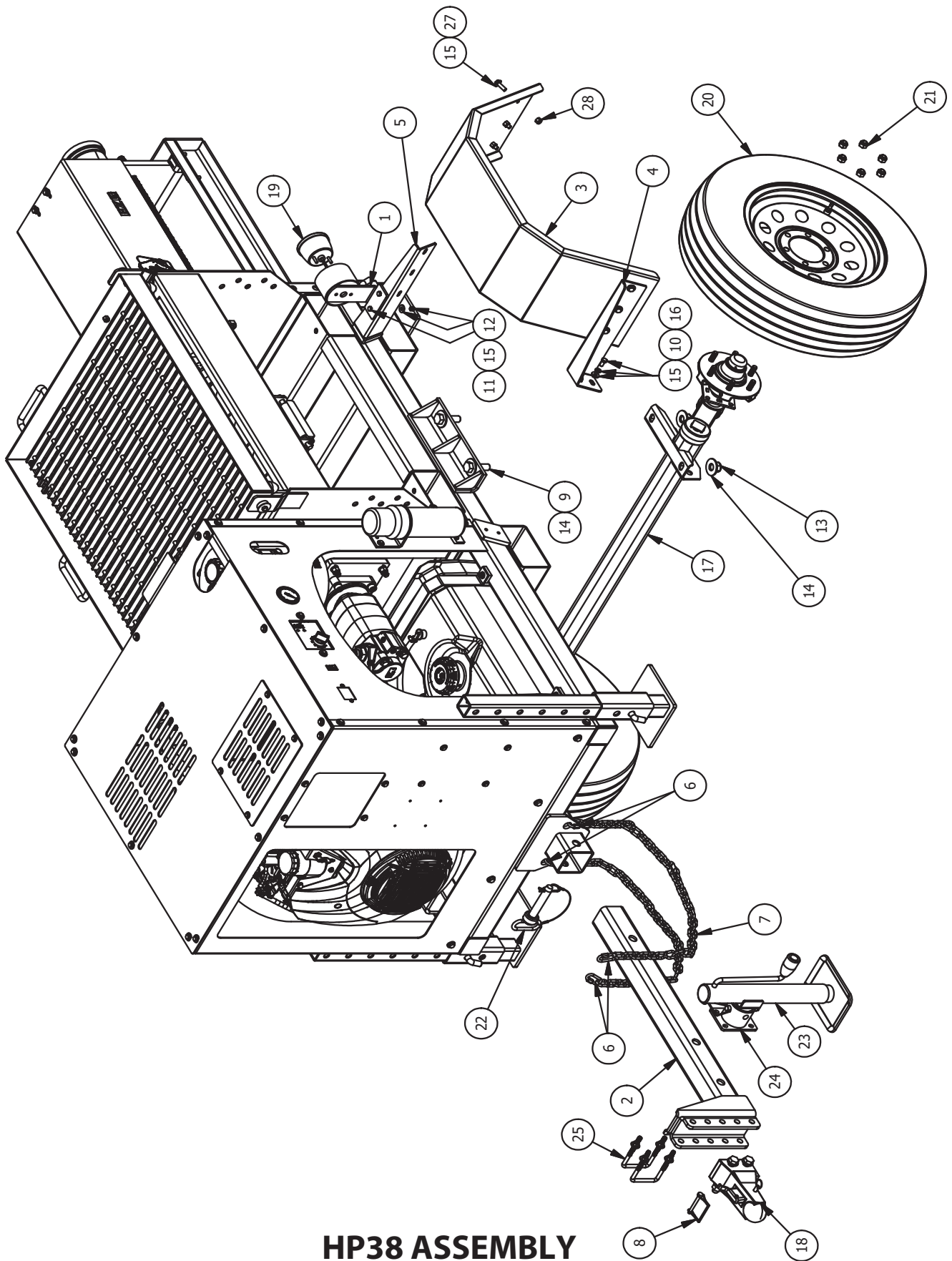
HP38SM / HP38 HYDRAULIC ASSEMBLY

PARTS LIST			
ITEM	QTY	PART NUMBER	DESCRIPTION
1	1	1100-A-11	HP38 - Hose Assy-Pressure Gage to Valve
2	1	1100-A-12	HP38 - Hose Assy-Cyclone OUT to Pump IN
3	1	1100-A-13	HP38-Hose-Pump OUT to Valve IN
4	2	1100-A-14	HP38-Hose-Valve A-Motor A & ValveB-MotoB
5	1	1100-A-15	HP38-Hose-Valve OUT-Heat Exchanger Top
6	1	1100-A-16	HP38-Hose Assy-Filter OUT-Cyclone Return
7	1	1100-A-17	HP38-Hose Assy-HE Bottom to Filter IN
8	2	02-2174	5/8 MJIC x 5/8 MORB Straight Connector
9	2	02-2172	5/8 MJ x 5/8 FJX 45 Degree Swivel Elbow
10	1	02-2161	3/8"JICM x 1/4" NPTF 90° - Elbow
11	2	02-2160	3/4 JICM x 1" ORBM Straight Adapter
12	1	02-2159	1-1/2" JICF x 1-1/4" JICM Tube Reducer
13	1	02-2157	3/4 JICM x 1-1/4 ORBM 90 Deg Adapter
14	1	02-2158	3/4 JICM x 1-1/4 ORBM Straight Adapter
15	1	02-286	1 1/4" JICM to 1" ORBM 45° Adapter
16	1	02-275	3/8" JICM to 3/8" ORBM Straight Adapter
17	5	02-201	3/4 JICM to 3/4 ORM 90 Adapter

HP38SM / HP38 HYDRAULIC ASSEMBLY PARTS LIST



HP38 TRAILER MOUNTED



HP38 ASSEMBLY

PARTS LIST			
ITEM	QTY	PART NUMBER	DESCRIPTION
1	2	1100-A-07	HP38 - Taillight Welded Assembly (1)
2	1	901-A-5	X1000 Tongue Welded Assembly
3	2	1000-111	HP-20T4 - Steel Fender (10 Gauge)
4	2	900-007L	Graber Fender Mount
5	2	900-007R	Graber Fender Mount
6	4	09-701	Connecting Link
7	2	09-700	1/4" Proof Coil Plated Chain
8	1	09-407	5/16" Latch Pin
9	4	09-333	3/4-10 x 2 1/2" GR8 Bolts
10	8	09-355	3/8-16 x 3/4" GR5 Bolt
11	4	09-342	5/16-18 x 1" GR5 Bolt
12	6	09-202	5/16"-18 Nylon Nut
13	4	09-236	3/4-10 GR8 Nylon Nut
14	8	09-128	3/4 GR8 Flat Washer
15	24	09-105	5/16" Flat Washer
16	8	09-102	3/8" Lock Washer
17	1	07-181	MDI X1000 Axle 3500# No Brake
18	1	07-168	MDI 2 5/16 Channel Style Coupler
19	2	07-151	EZL Tail Light
20	2	07-149	Radial Tire/Wheel 15" Silver Mod.
21	12	07-134	EZG Lug Nut
22	1	91594A335	7/8 x 4 Clevis Pin
23	1	07-183	Pipe Mount Jack 2K
24	1	901-033	X1000 Jack Pipe Mount Plate
25	2	09-3204	4 5/8 x 3 U-Bolt (X1000)
26	1	1100-052	1100-013, STRAP
27	12	09-310	3/8"-16 x 1 1/4" GR5 Bolt
28	12	09-204	3/8"-16 Nylon Nut

HP38 PARTS LIST

